

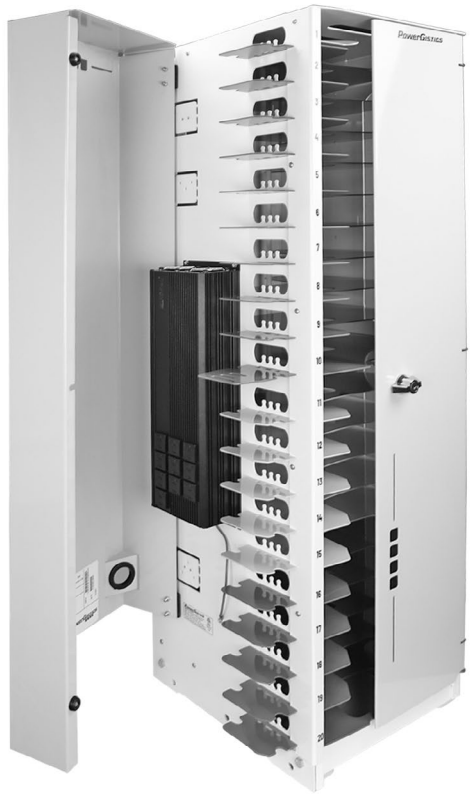
# FLEX20 for FLEX20USB or FLEX20 BOLT

INSTALLATION GUIDE

REV B



FLEX20 USB



FLEX20 BOLT

**PowerGISTICS**  
■■■■

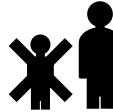
# WARNINGS WARNINGS

Please read the warnings below for important safety information regarding your product. Failure to read these warnings or to follow the instructions below could result in personal injury or damage to your product that could void its warranty.

- **DO NOT PLUG POWERGISTICS TOWERS INTO OTHER TOWERS. MUST BE PLUGGED DIRECTLY INTO THE WALL OUTLET.**
- **WALL MOUNTED TOWER MUST HAVE THE BASE RESTING ON THE FLOOR.**
- **SHELF WEIGHT RATING: 5 LBS PER SHELF.**



In its unassembled state, small parts present a hazard.



Must be assembled by an adult.



Ensure that any cables extending across the floor to your product are properly bundled and marked to avoid tripping or falling which may lead to personal injury.



Do not install or use the electrical components of this unit during a lightning storm.



This product is intended for indoor use only. To reduce the risk of fire or electric shock, do not expose this product to rain or moisture. The internal components are not sealed from the environment.



Do not climb on, hang from or suspend objects from any components of your product unless otherwise specified.



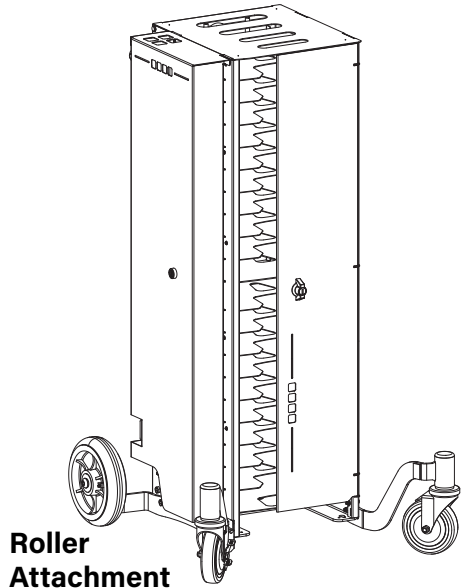
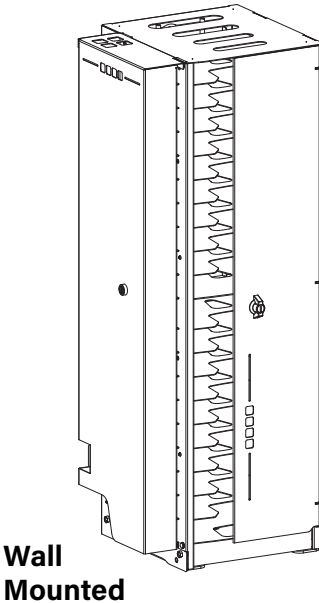
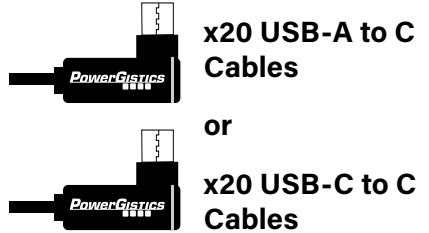
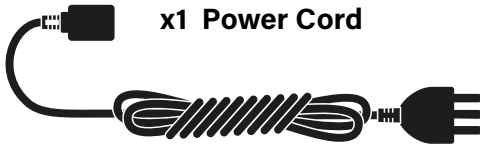
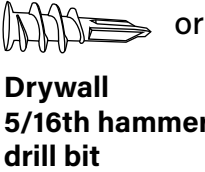
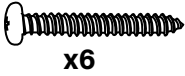
Read your power strip's electrical specifications. Only plug in to devices that are approved for use with this power strip. Connect the supplied power strip directly to a wall outlet. The socket-outlet shall be installed near the equipment and shall be easily accessible. Do not connect to another power strip or use an extension cord. Unplug when not in use.



Read the electrical specifications of any electronic equipment you are using with your PowerGistics products. Failure to read these specifications and follow their instructions could result in damage to your equipment or personal injury.

# FLEX20 for FLEX20USB or FLEX20 BOLT

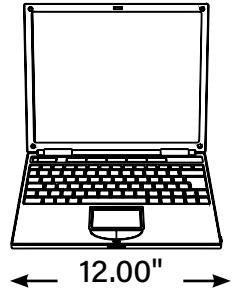
## Parts list



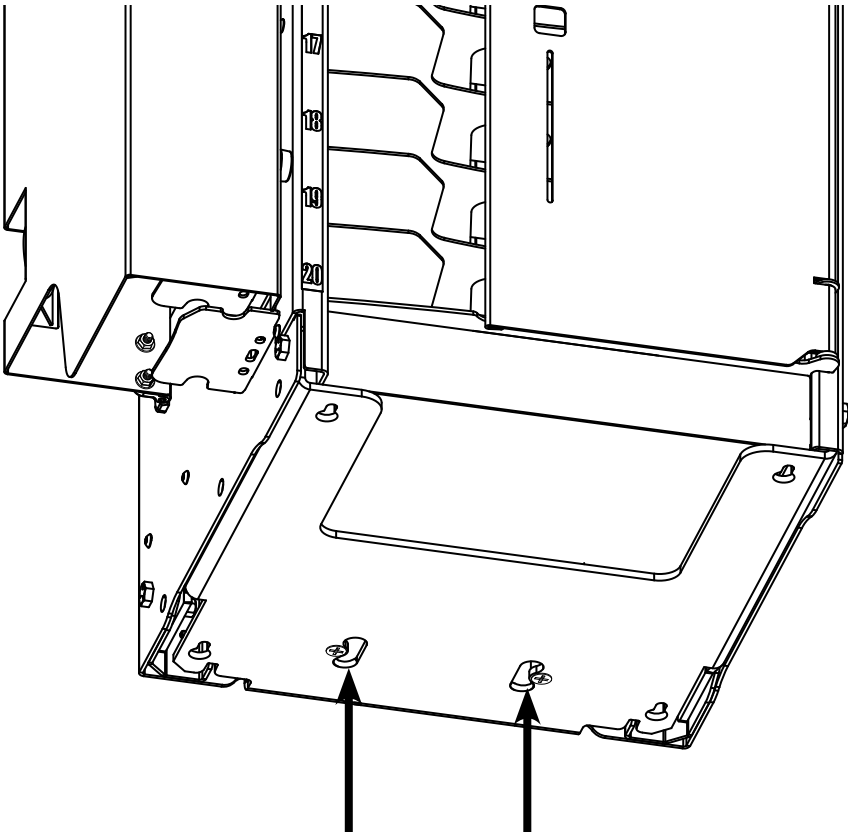
# FLEX20 TechPosts

## TechPosts (Pre-installed)

FLEX20 comes with TechPosts (pre-installed) positioned for devices up to 12.00" on the longest side.



## TechPosts (pre-installed) for 12.00"

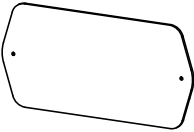
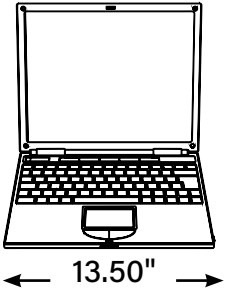


**TechPosts (pre-installed) in rear holes**

# FLEX20 TechPosts

## TechPost removal

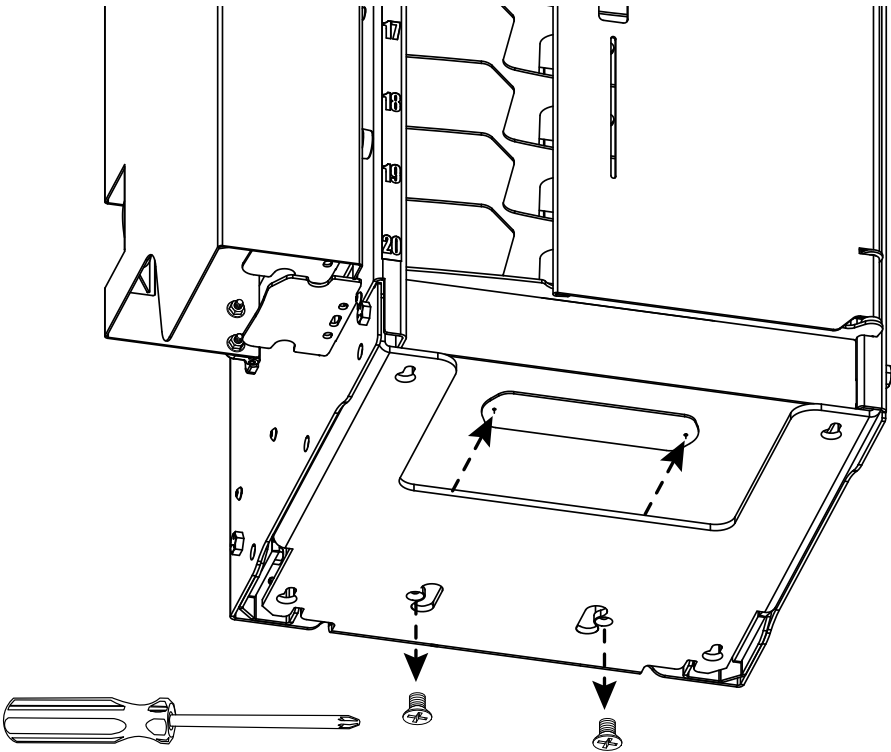
FLEX20 TechPosts are to be removed for devices up to 13.50" on the longest side.



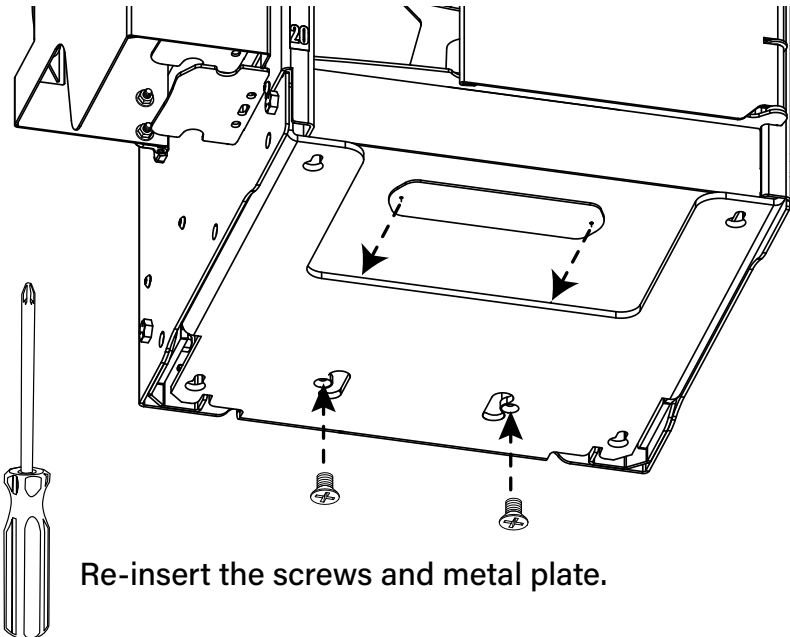
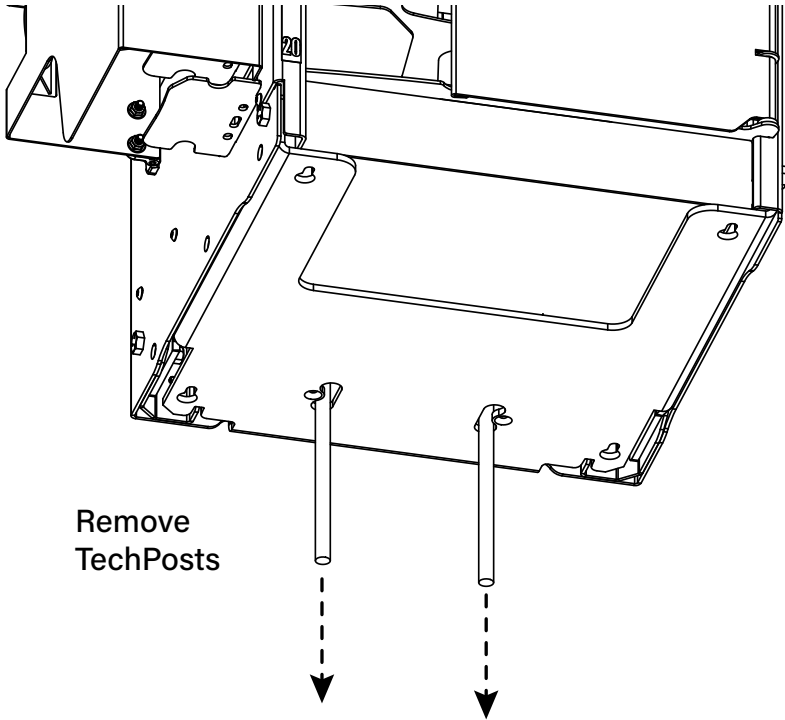
TechPost Plate



x2



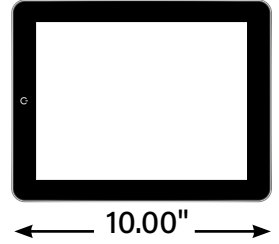
Remove screws with Phillips screwdriver and take out metal plate.



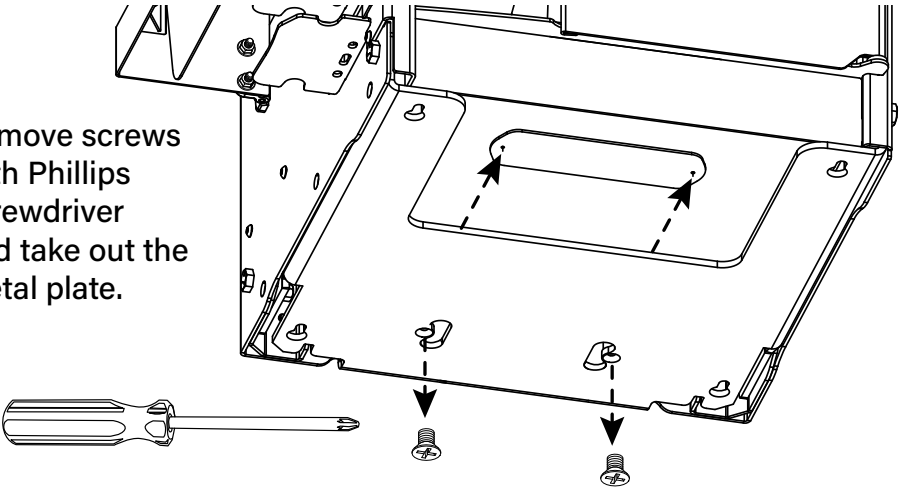
# FLEX20 TechPosts

## TechPost removal and repositioning

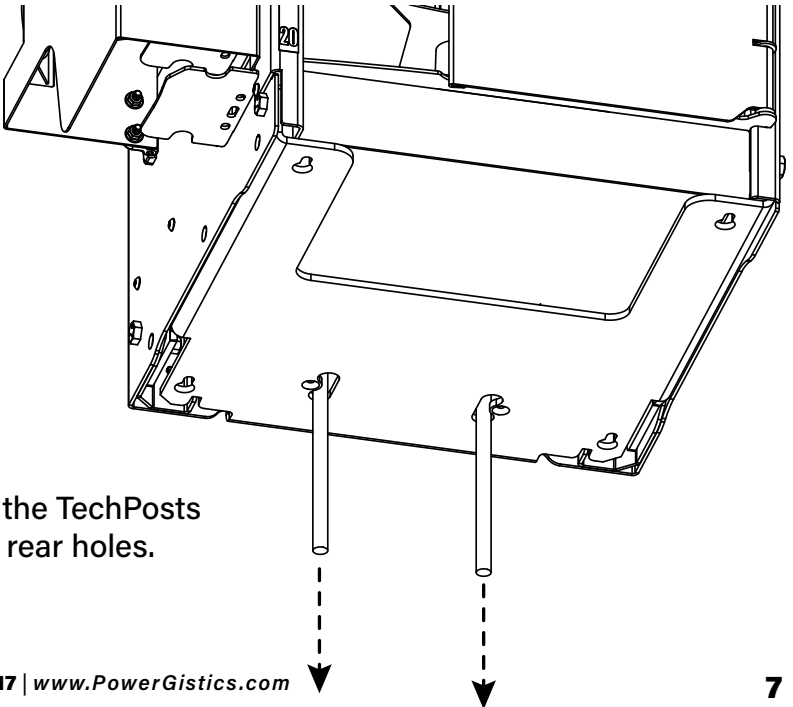
FLEX20 TechPosts removal and repositioning for devices up to 10.00" on the longest side.



Remove screws with Phillips screwdriver and take out the metal plate.

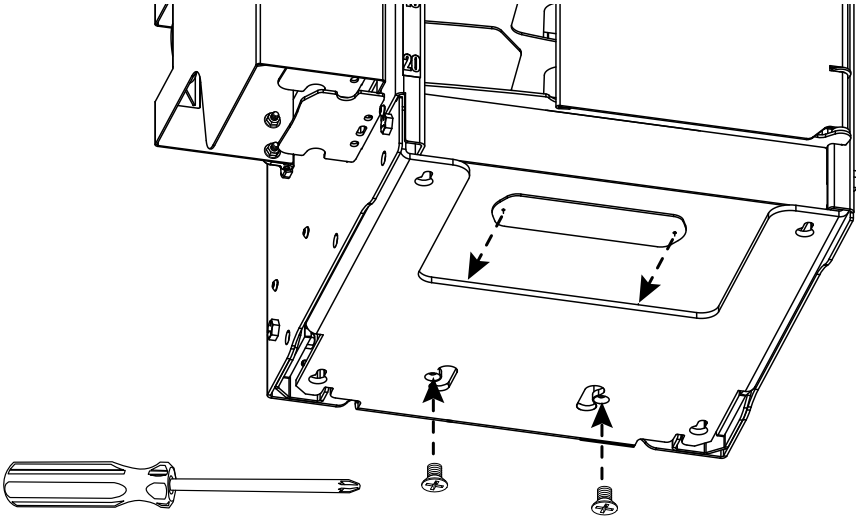
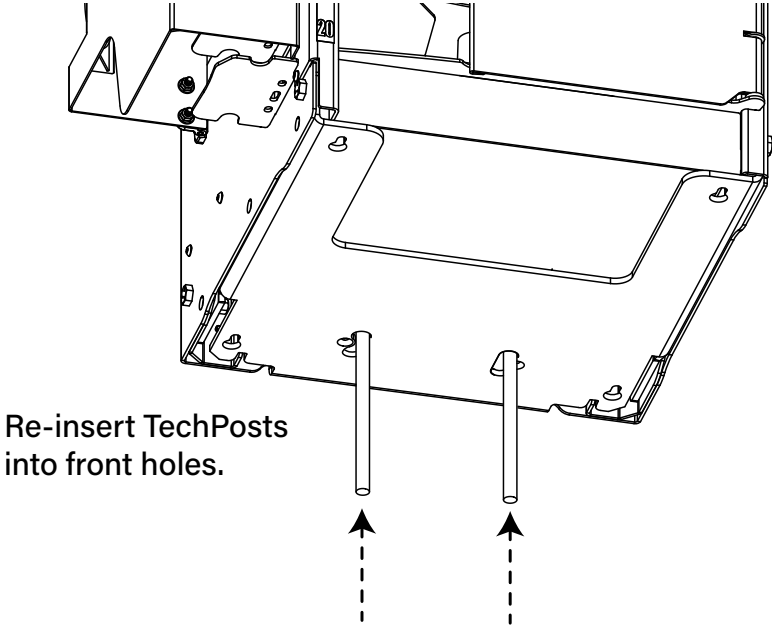


Remove the TechPosts from the rear holes.



# FLEX20 TechPosts

## TechPost removal and repositioning



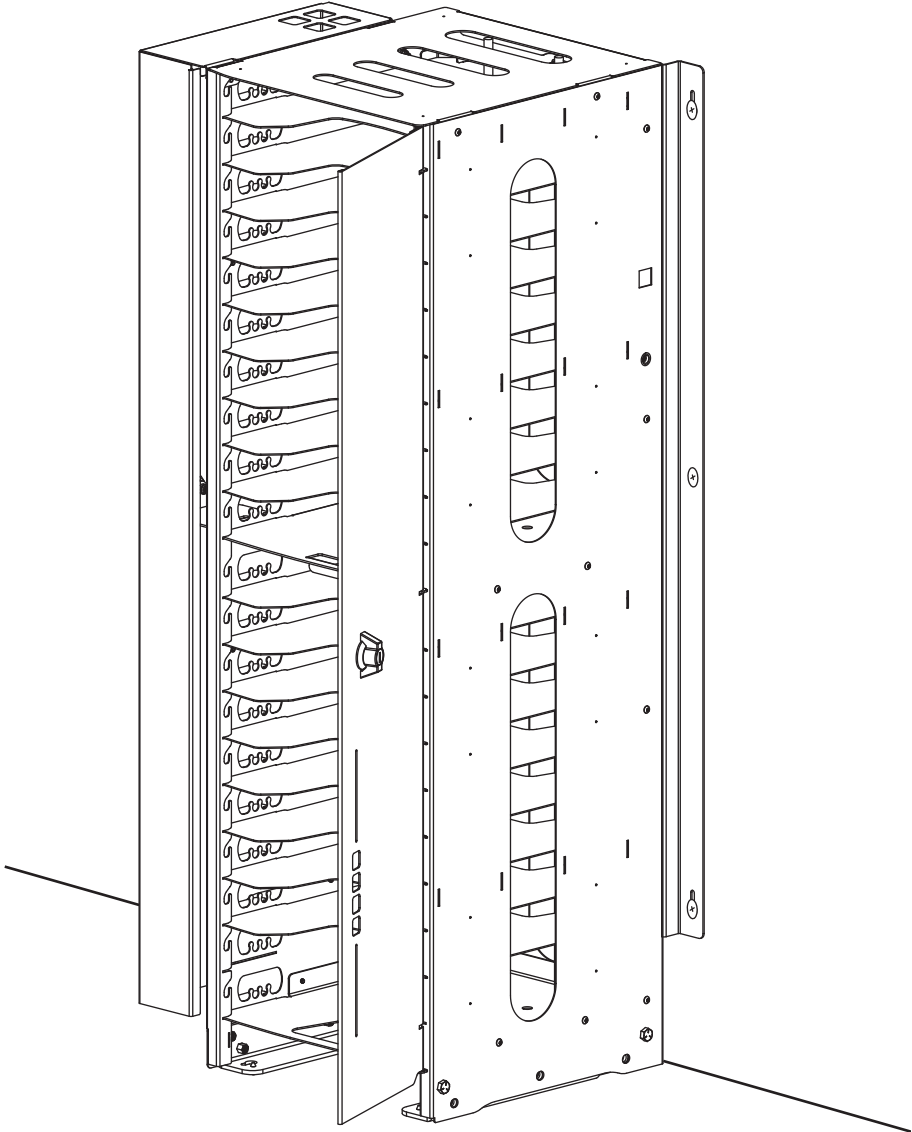


# FLEX20 Mounting to Wall

---

## Wall Mounting to concrete or drywall

Flex20 is intended to stand on the floor while mounted to the wall.

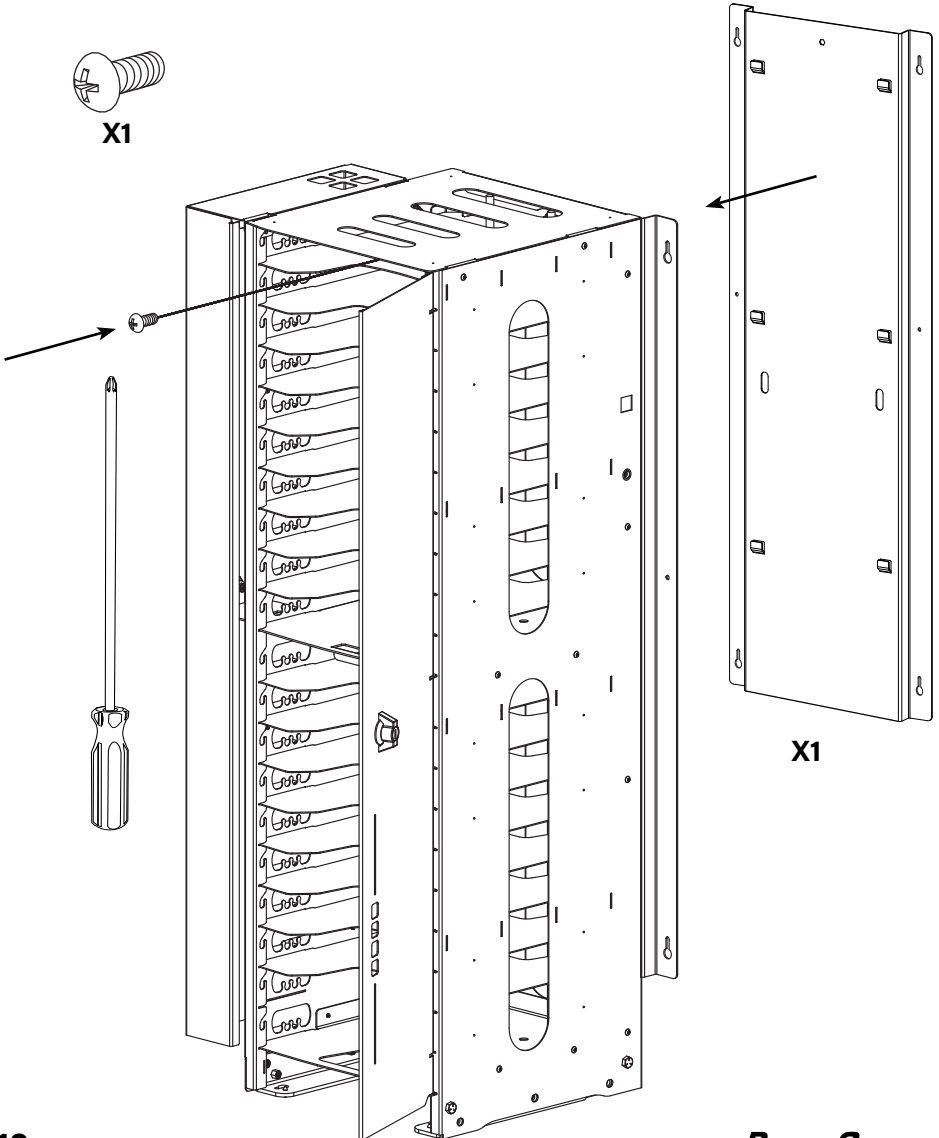


# FLEX20 Mounting to Wall

## STEP 1

Place mounting plate onto back of FLEX20.

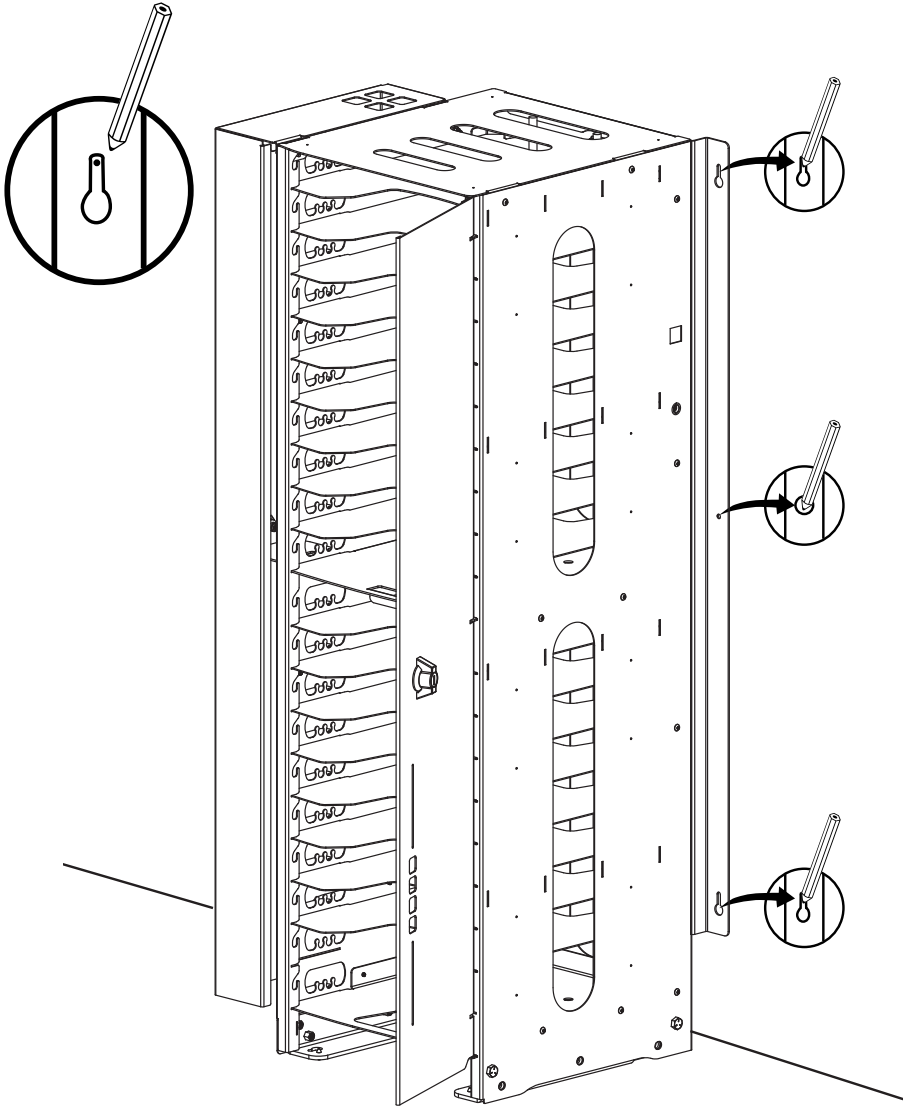
Secure mounting plate to back of FLEX20 with screw (provided) using an 8" long Phillips head screwdriver (not provided).



# FLEX20 Mounting to Wall

## STEP 2

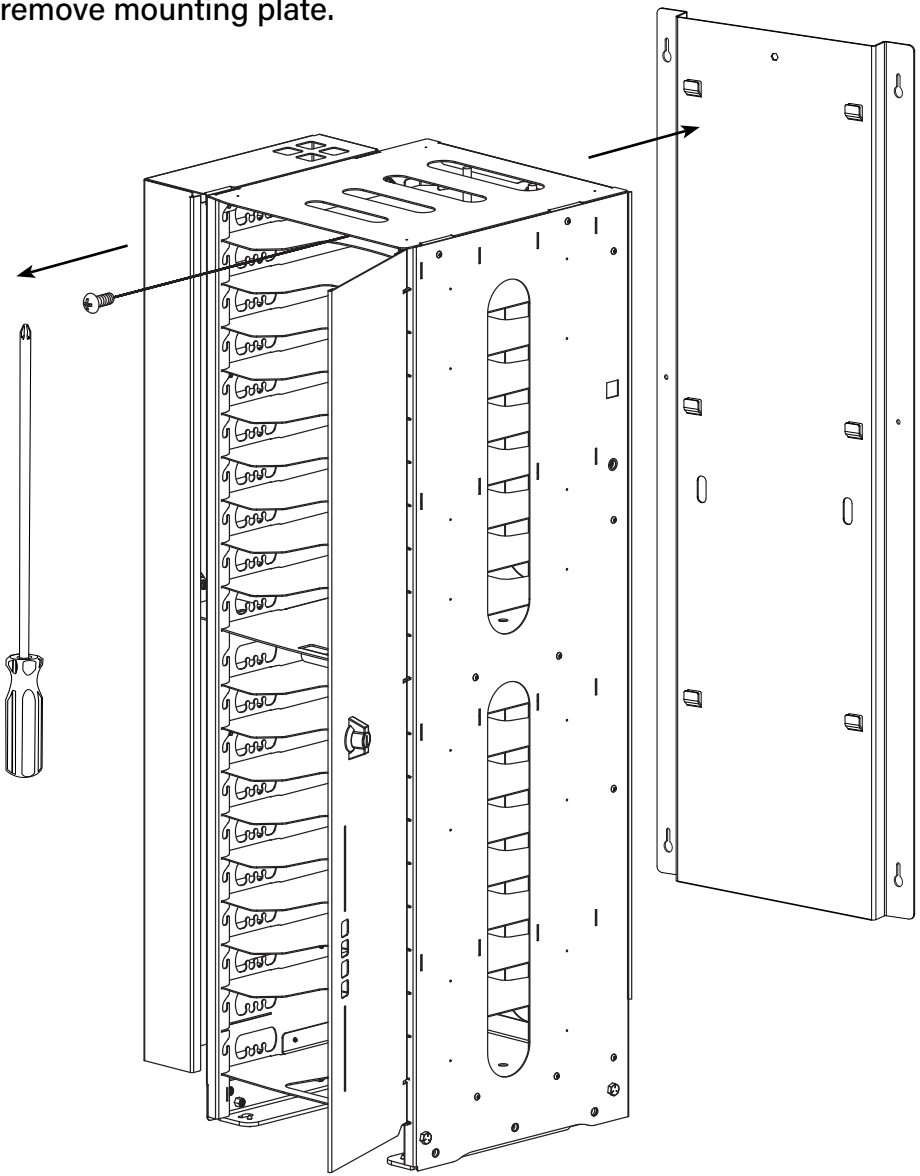
Position FLEX20 with mounting bracket secured against wall. Mark out each hole location on wall using pencil or marker. Be sure to mark hole at top.



# FLEX20 Mounting to Wall

## STEP 3

Move FLEX away from wall and remove mounting plate.



# FLEX20 Mounting to Wall

## STEP 4

Use drill with 5/16 or 3/16 bit to create holes for either concrete or drywall mounting anchors.

Screw in concrete or drywall anchors.

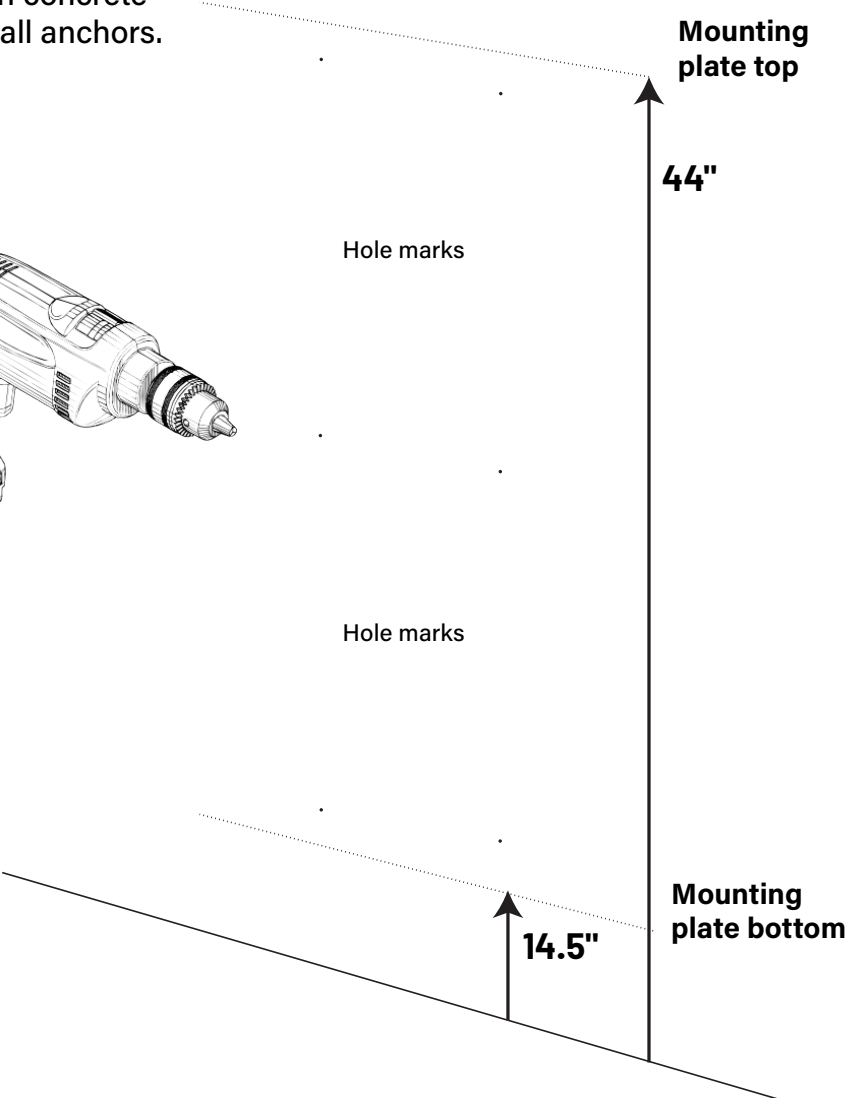
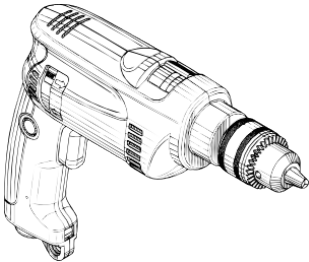


or



**Concrete  
5/16  
hammer  
drill bit**

**Drywall  
3/16  
drill bit**



# FLEX20 Mounting to Wall

---

## STEP 5

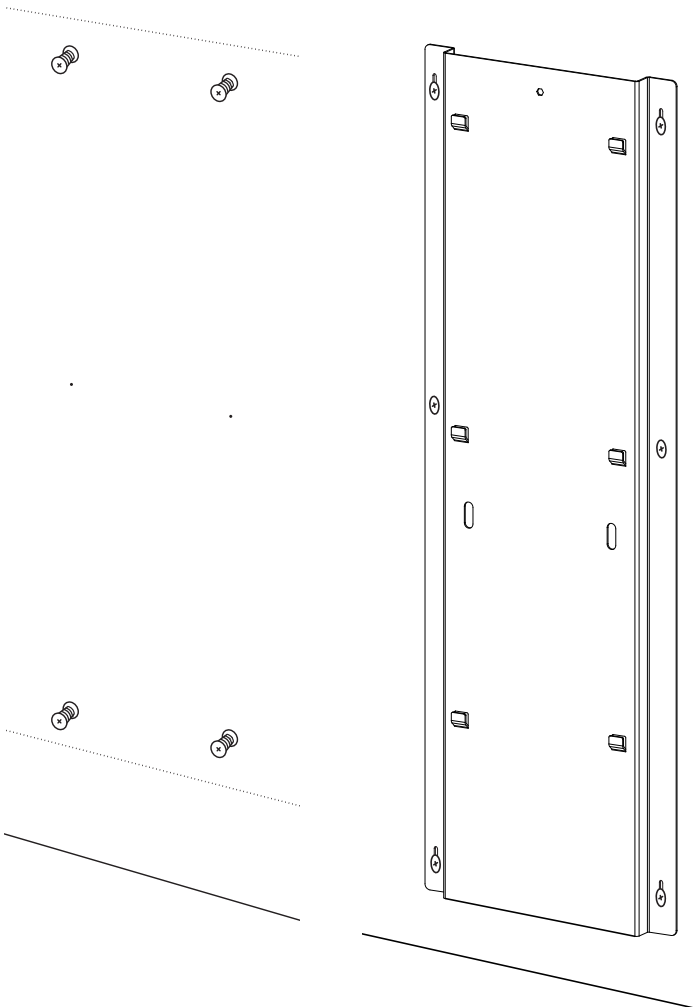
Insert screws into anchors on top and bottom hole positions.

Screws should be put halfway into anchors.

Place mounting plate on to wall.

Insert middle screw hole screws.

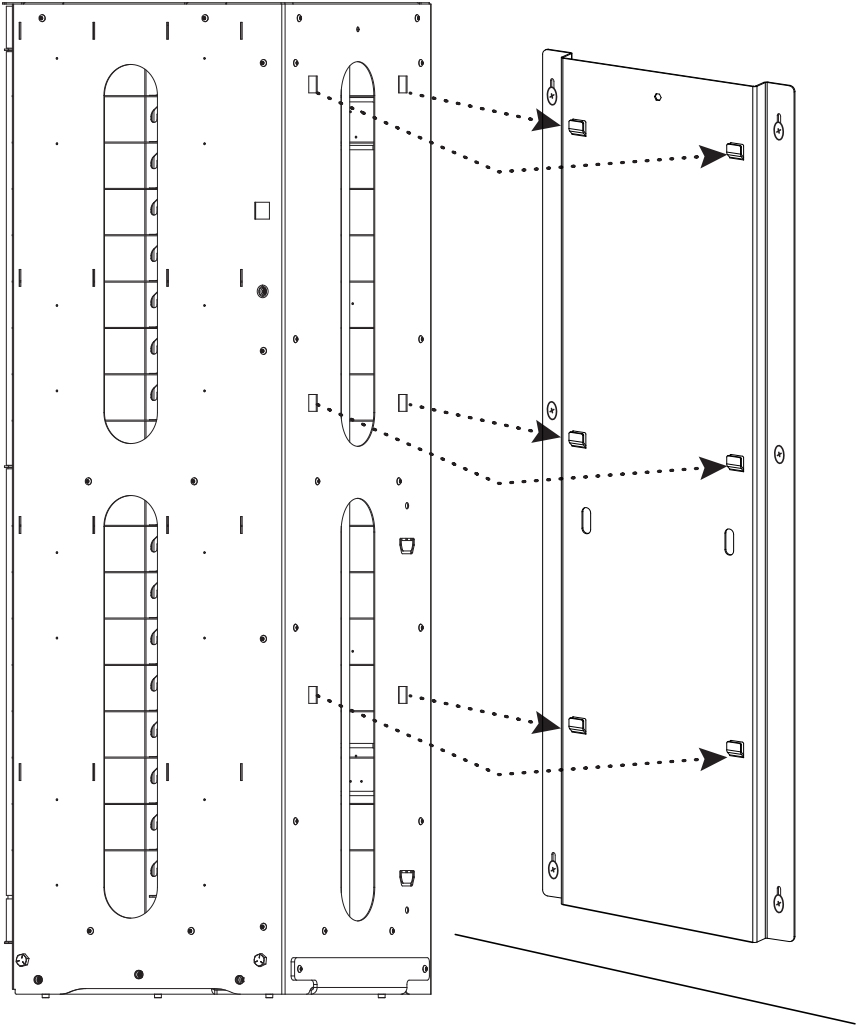
Tighten all screws using Phillips head screwdriver or drill.



# FLEX20 Mounting to Wall

## STEP 6

Place FLEX20 on the secured wall mounting plate.



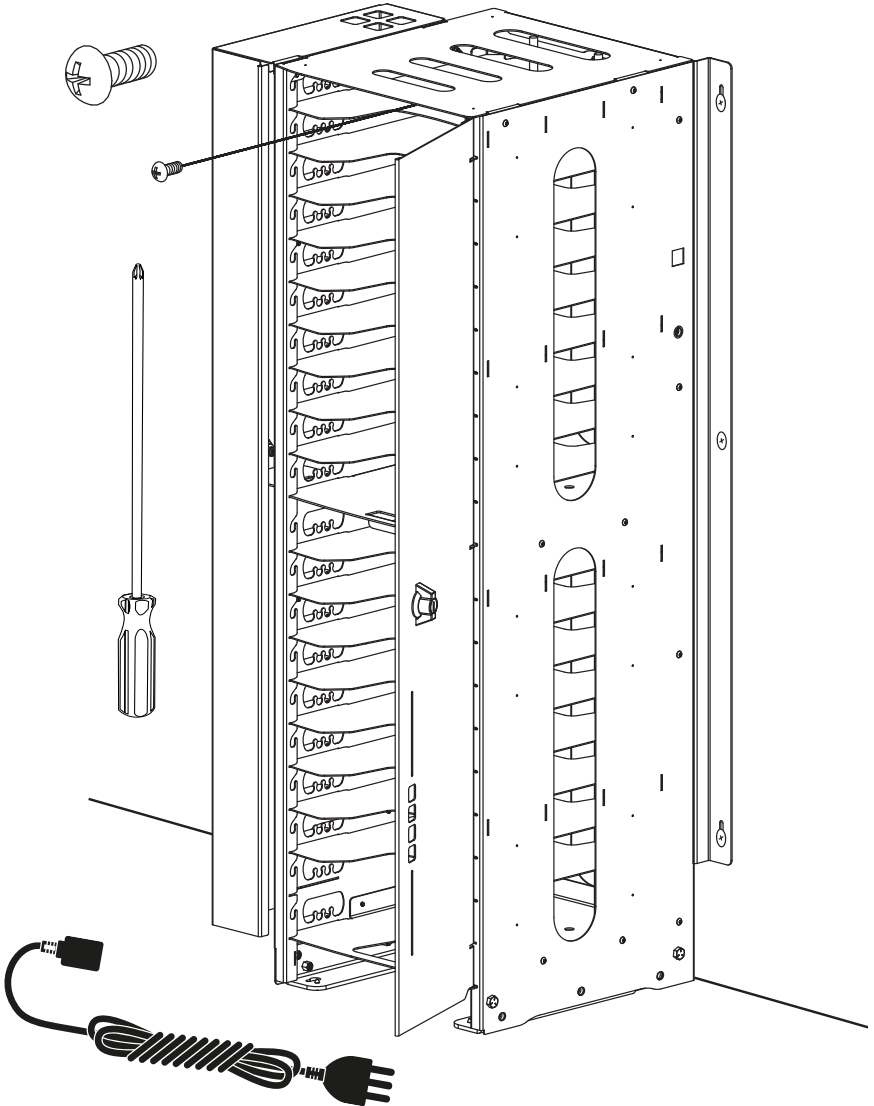
# FLEX20 Mounting to Wall

---

## STEP 7

Secure FLEX20 to mounting plate with screw using an 8" long Phillips head screwdriver.

Plug power cord into wall socket and then into power strip.





# FLEX20 Cable Management

---



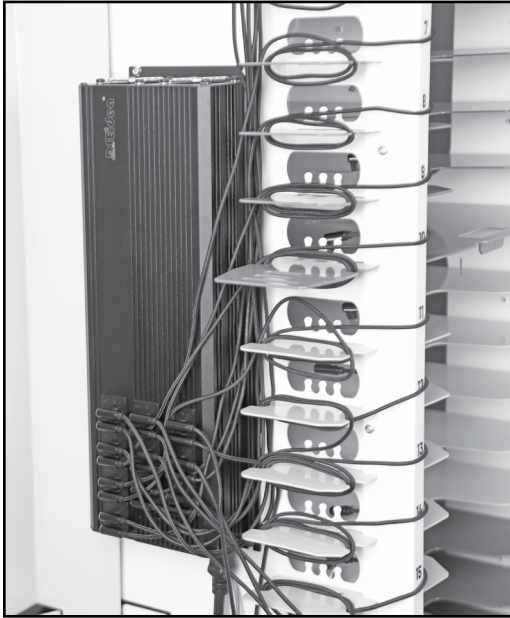
**STEP 1**  
Plug cord into device and feed through pinch points to secure at just the right length.

# FLEX20 Cable Management

---

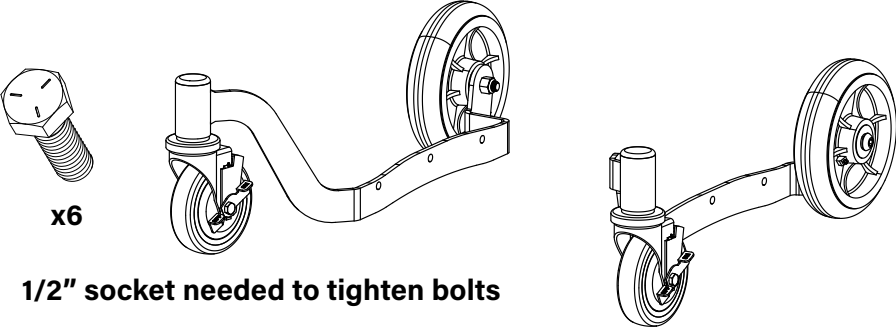


**STEP 2**  
Wrap cord around tabs and then plug into the power strip.

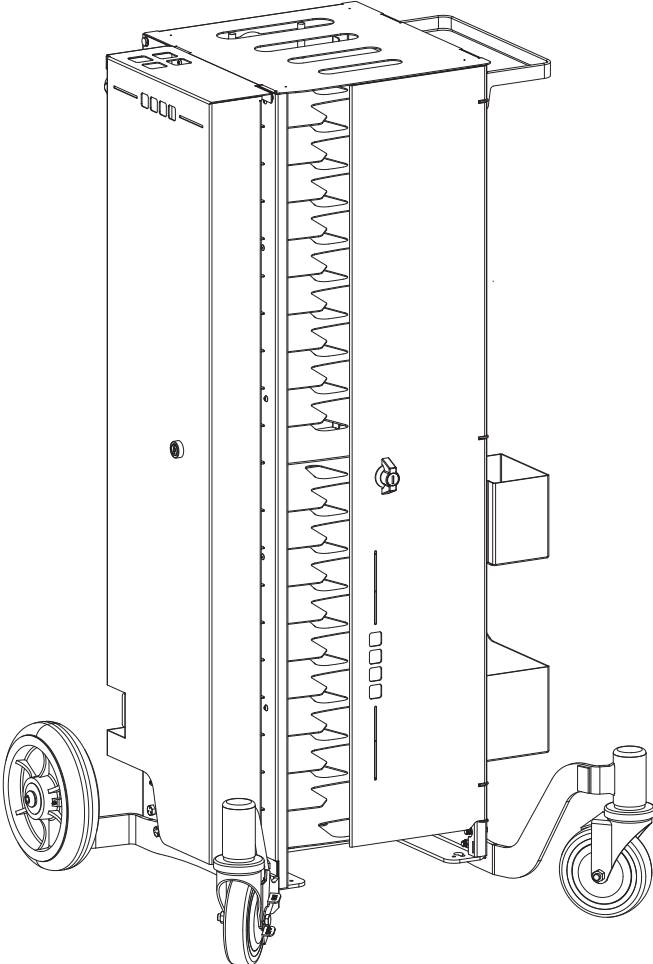


# FLEX20 Attaching Roller

## Roller Attachment

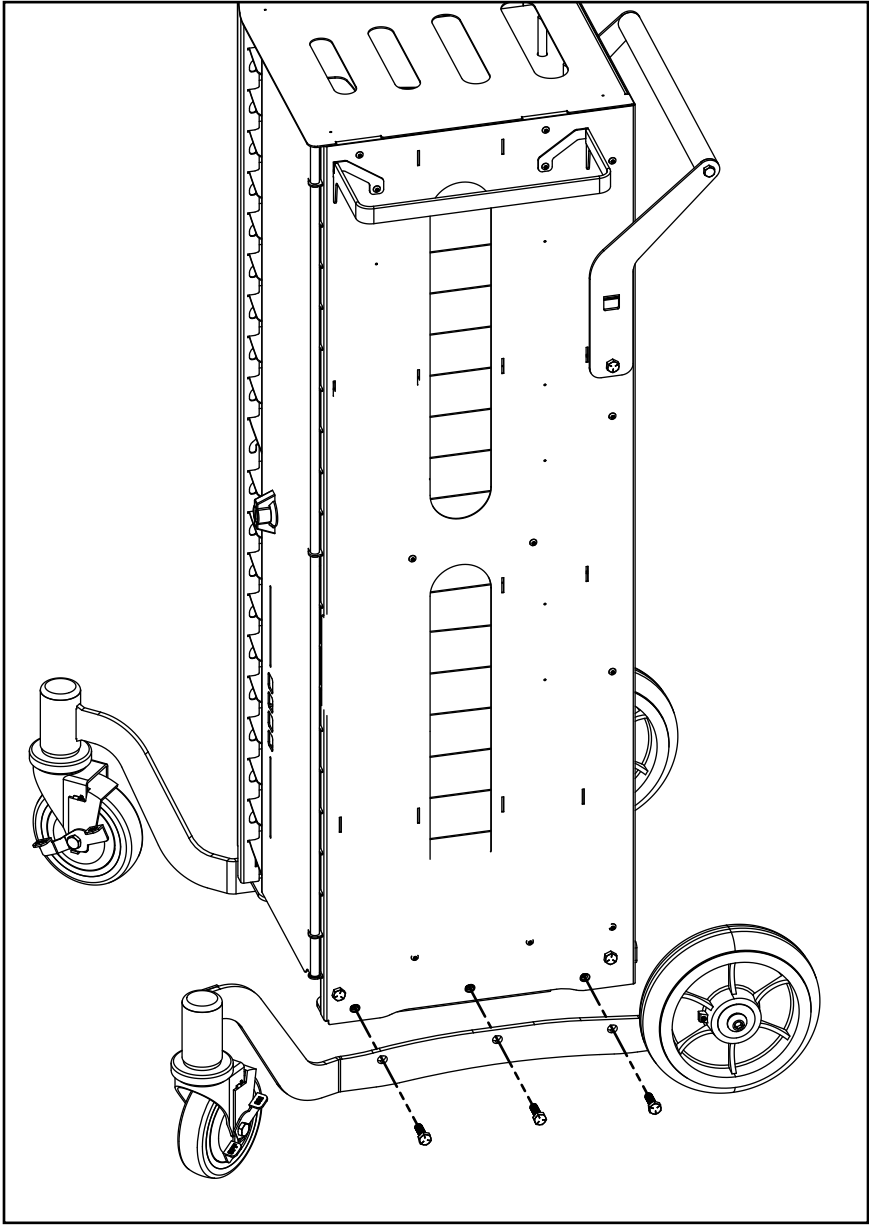


1/2" socket needed to tighten bolts



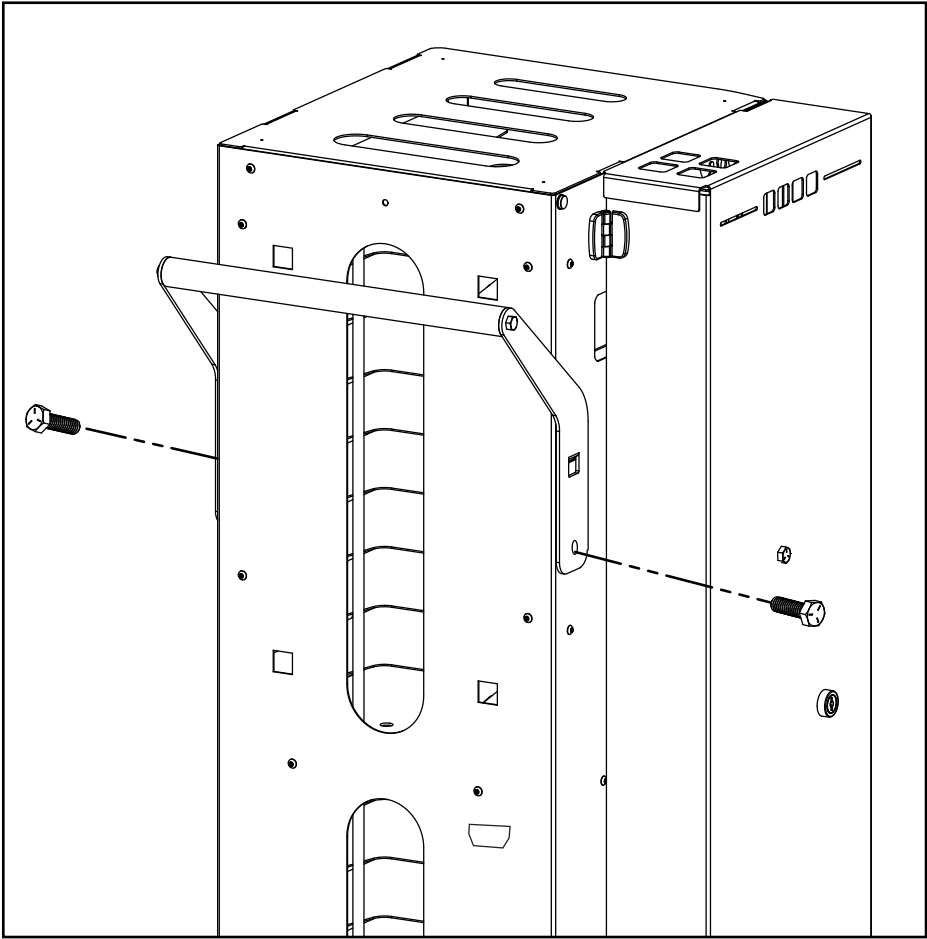
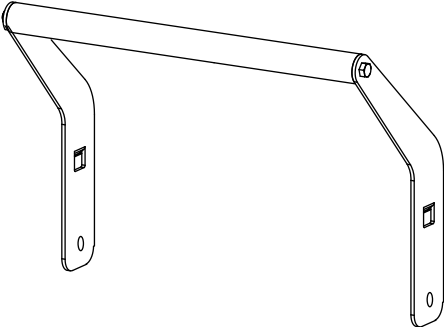
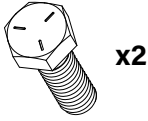
# FLEX20 Attaching Roller

Bolt each roller into the base at hole locations.



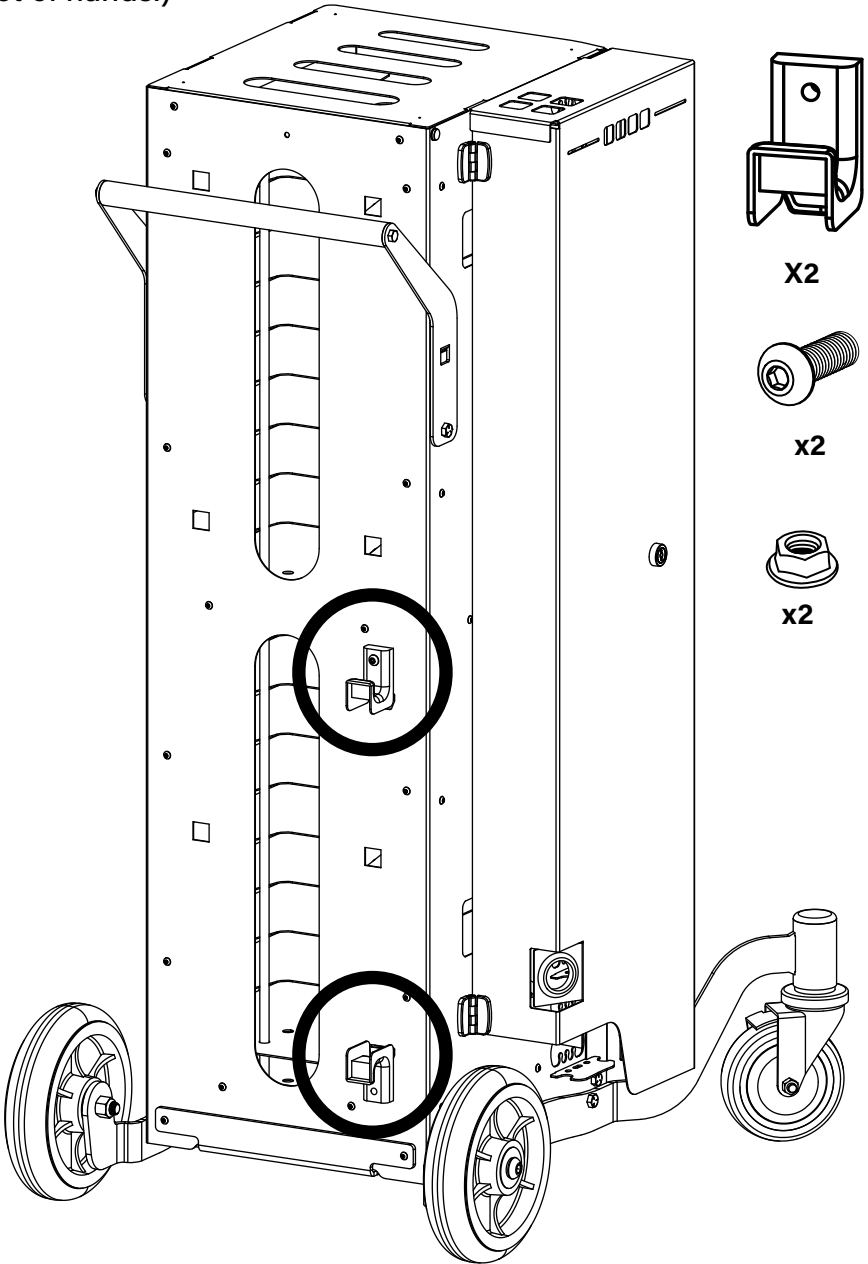
# FLEX20 Attaching Handle

Bolt the handle into the base unit using one bolt per side.



# FLEX20 Attaching Cord Wrap

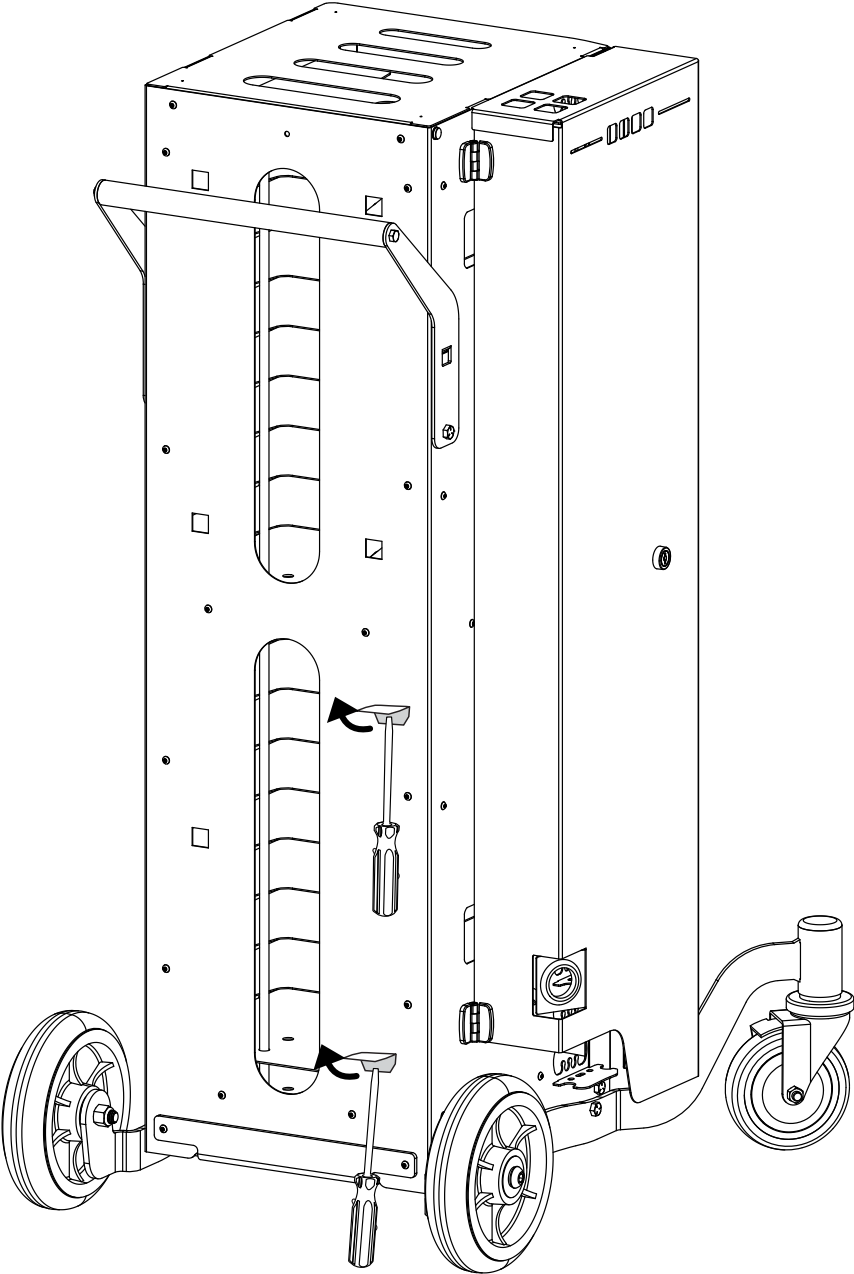
(Installation of cord wrap could be easier with a second set of hands.)



# FLEX20 Attaching Cord Wrap

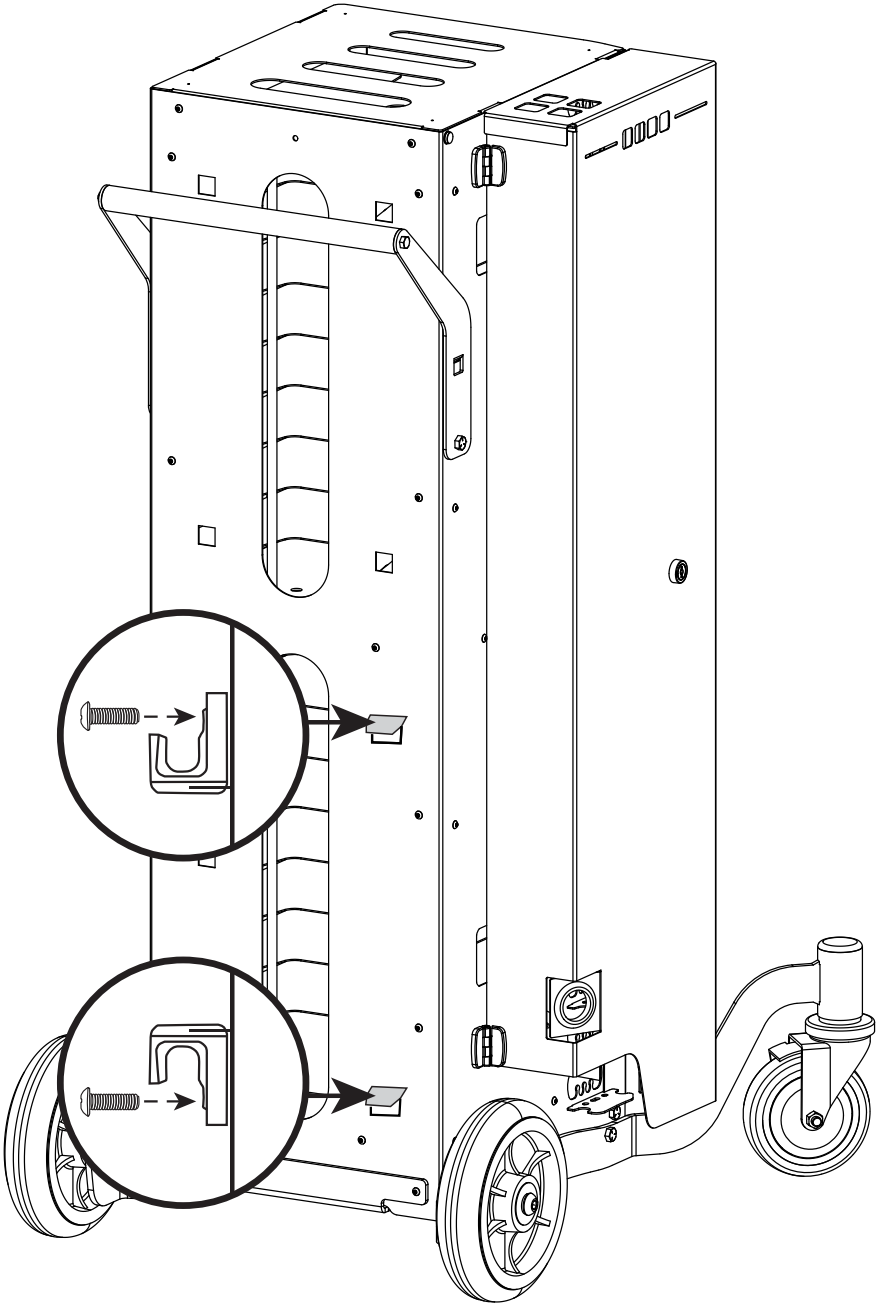
---

**STEP 1** Use a flathead screwdriver to bend tabs up.



# FLEX20 Attaching Cord Wrap

**STEP 2** Place cord wrap hooks on tabs and insert bolts.

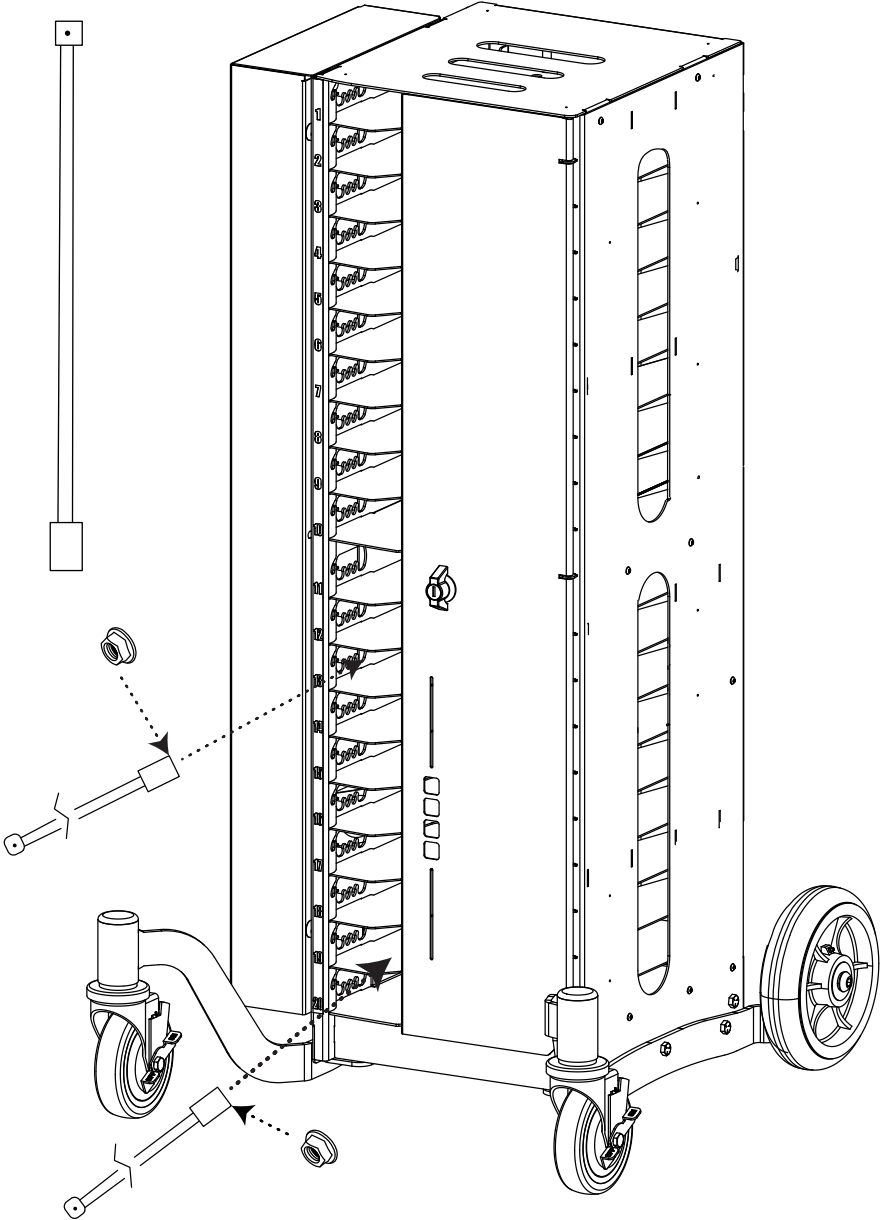




# FLEX20 Attaching Cord Wrap

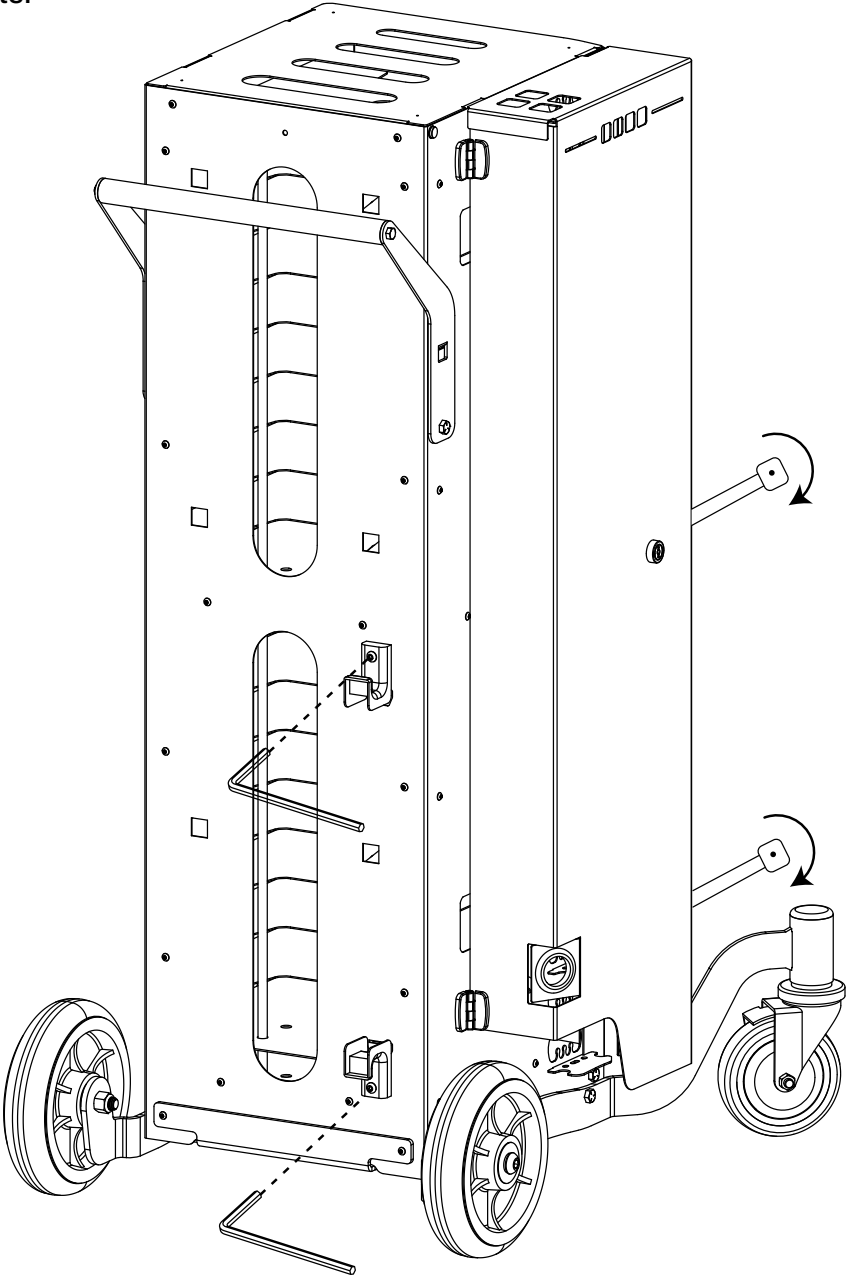
**STEP 3** Use socket wrench with extension to place nut on other side of bolt, reaching through shelves.

**18" socket wrench extension with 7/16" socket**



# FLEX20 Attaching Cord Wrap

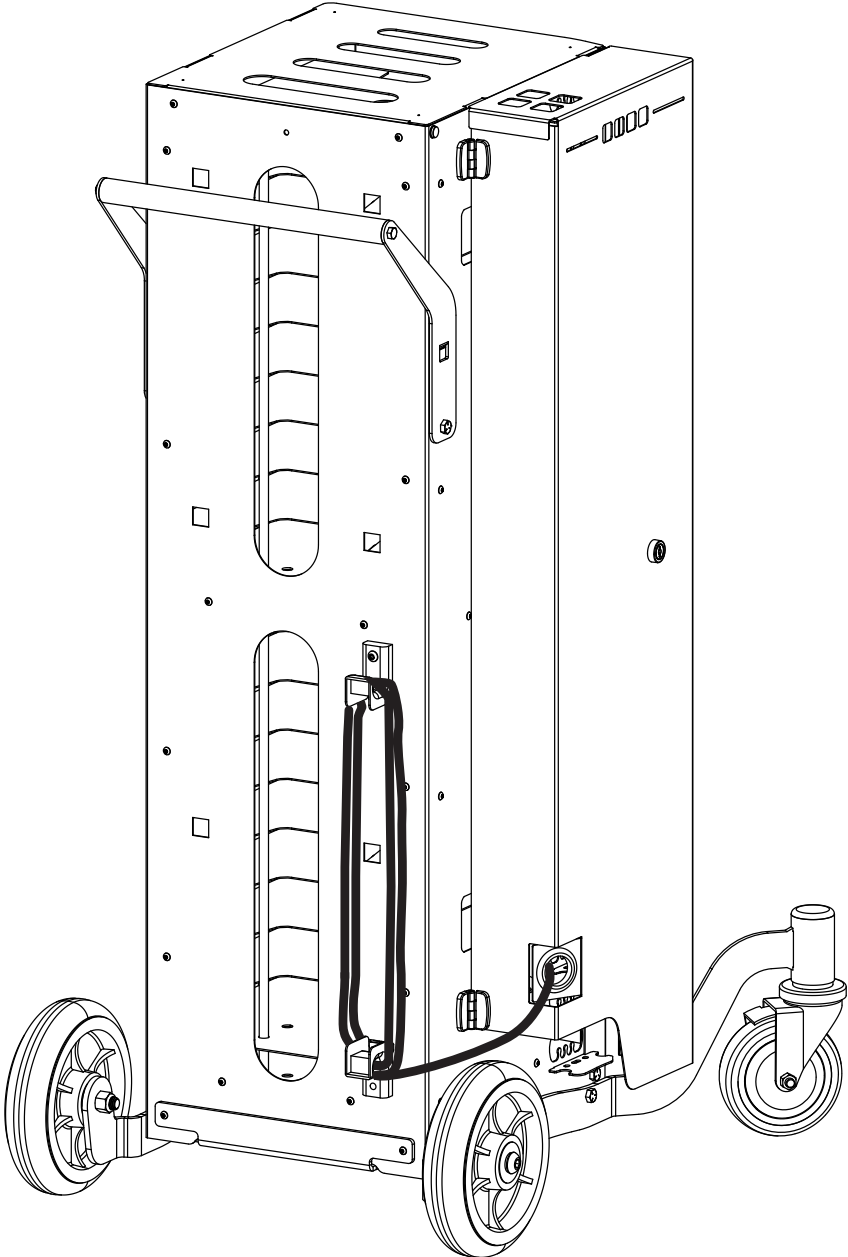
**STEP 4** Use hex key (5/32") and socket wrench to tighten bolts.



# FLEX20 Attaching Cord Wrap

---

**STEP 5** Plug in power cord, feed through hole and wrap around hooks.



For questions go to PowerGistics support at:

<https://powergistics.com/support/>



100 Continental Drive, Columbus, Wisconsin 53925 USA  
**(844) 205-1217** | [www.PowerGistics.com](http://www.PowerGistics.com)