

DESKTOP6 PLUS

OWNER'S MANUAL

REV A



PowerGistics
■■■■

WARNINGS



WARNINGS

Please read the warnings below for important safety information regarding your product. Failure to read these warnings or to follow the instructions below could result in personal injury or damage to your product that could void its warranty.

- **DO NOT PLUG POWERGISTICS TOWERS INTO OTHER TOWERS. MUST BE PLUGGED DIRECTLY INTO THE WALL OUTLET.**



In its unassembled state, small parts present a hazard.



Must be assembled by an adult.



Ensure that any cables extending across the floor to your product are properly bundled and marked to avoid tripping or falling which may lead to personal injury.



Do not install or use the electrical components of this unit during a lightning storm.



This product is intended for indoor use only. To reduce the risk of fire or electric shock, do not expose this product to rain or moisture. The internal components are not sealed from the environment.



Do not climb on, hang from or suspend objects from any components of your product unless otherwise specified.



Read your power strip's electrical specifications. Only plug in to devices that are approved for use with this power strip. Connect the supplied power strip directly to a wall outlet. The socket-outlet shall be installed near the equipment and shall be easily accessible. Do not connect to another power strip or use an extension cord. Unplug when not in use.

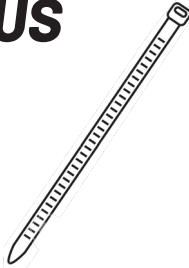


Read the electrical specifications of any electronic equipment you are using with your PowerGistics products. Failure to read these specifications and follow their instructions could result in damage to your equipment or personal injury.

DESKTOP6 PLUS

Install kit includes:

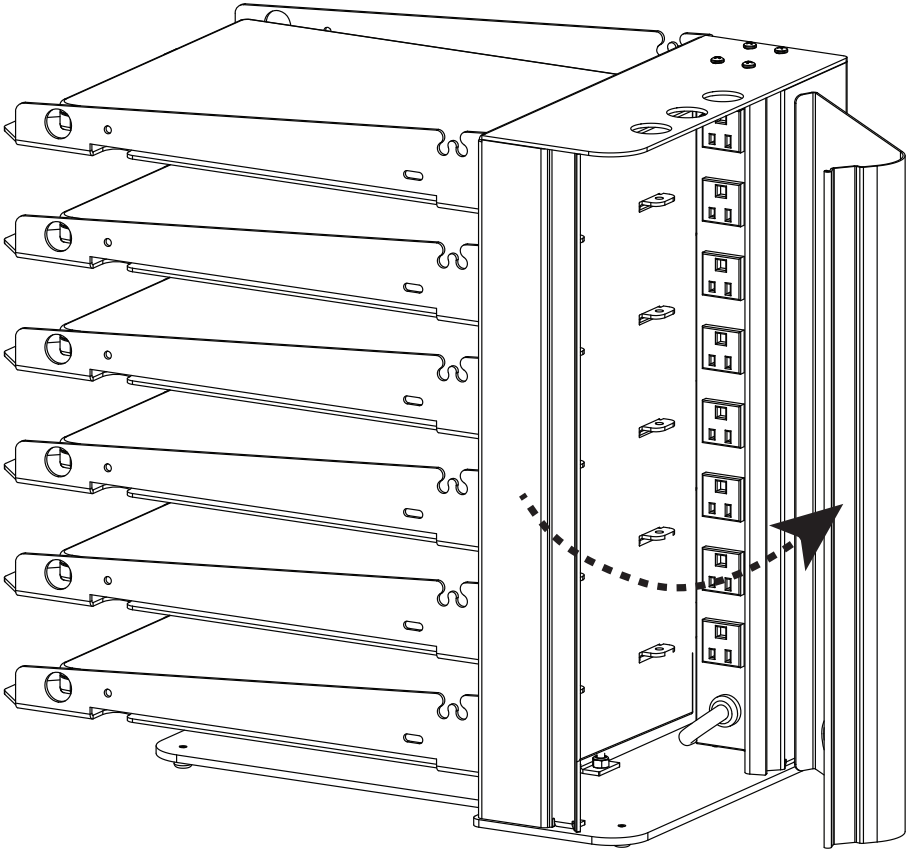
- 20 zip ties
- Shelf stickers



1	6	11	16	21	26	31	36
2	7	12	17	22	27	32	37
3	8	13	18	23	28	33	38
4	9	14	19	24	29	34	39
5	10	15	20	25	30	35	40

Cable management

Open rear snap off panel



DESKTOP6 PLUS

Cable management

Wrap up the cable of the power brick and secure with a zip tie. Leave enough loose on the end to reach the front of the shelf.

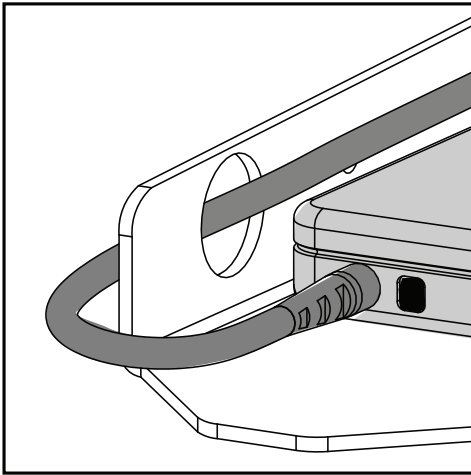
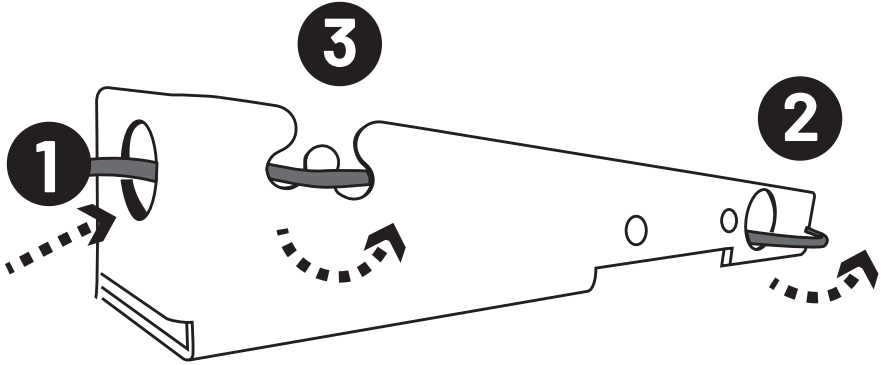


Feed a second zip tie through the hole, then tighten it around the pre-wrapped power brick.

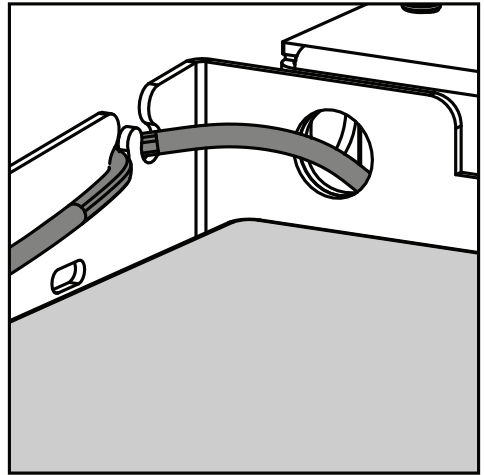
DESKTOP6 PLUS

Cable management

Feed the end of the cable through the back of the shelf, along the inside, and out the front hole.



Insert laptop on Desktop8 shelf.
Plug in laptop.



Secure power brick device cable
into pinch point on the side of
the shelf.

Continue process for all power bricks.



DESKTOP6 PLUS

Cable management



Have a question about your PowerGistics products?

We welcome any questions about technical support or warranty claims at www.powergistics.com/support/



Support Questions



100 Continental Drive, Columbus, Wisconsin 53925 USA
(844) 205-1217 | www.PowerGistics.com