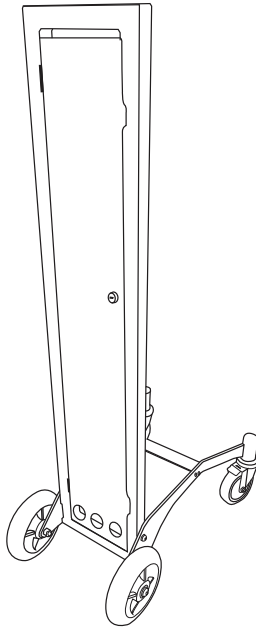


MASTER INSTALLATION GUIDE

“ROLLER” COMPLETE SETUP

REV F



POWERGISTICS.COM
844.205.1217

PowerGISTICS
■■■■

Check out our YouTube videos for tips and tricks.

Hardware Included

*NOT ACTUAL SIZE

5/16 HEX KEY - 1



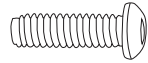
HEX KEY 7/32 - 1



HEX KEY 5/32 - 1



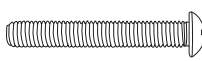
3/8" Hex Bolt - 4



1/2" LOCK NUT - 2



1/2" HEX BOLT - 2



3/8" LOCK WASHER - 4



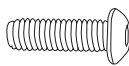
1/4" LOCK NUT - 4



1/2" WASHER - 2



1/4" HEX BOLT - 4



MOUNTING SCREW - 8

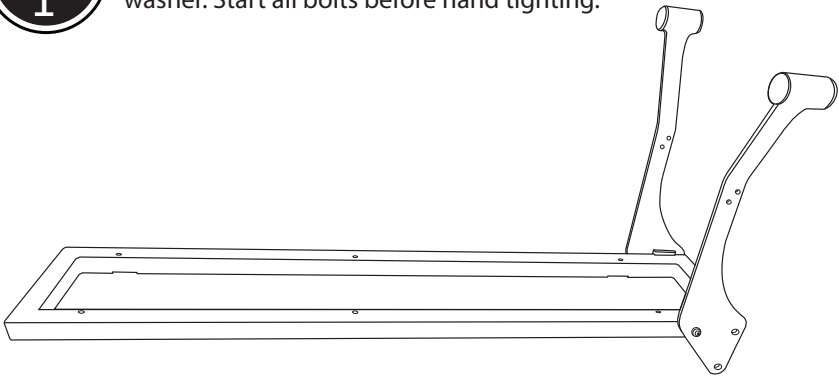


DOOR KEY - 2



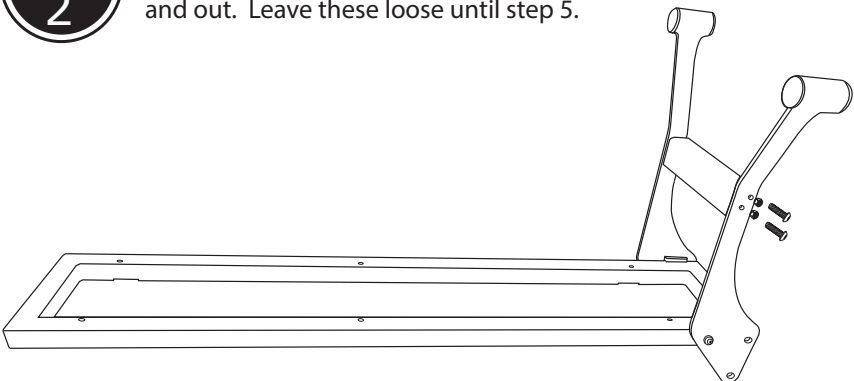
STEP
1

Line up frame with the flat side of leg facing up and legs curving out ward. Attach legs using 3/8 Hex bolts and 3/8 lock washer. Start all bolts before hand tightening.



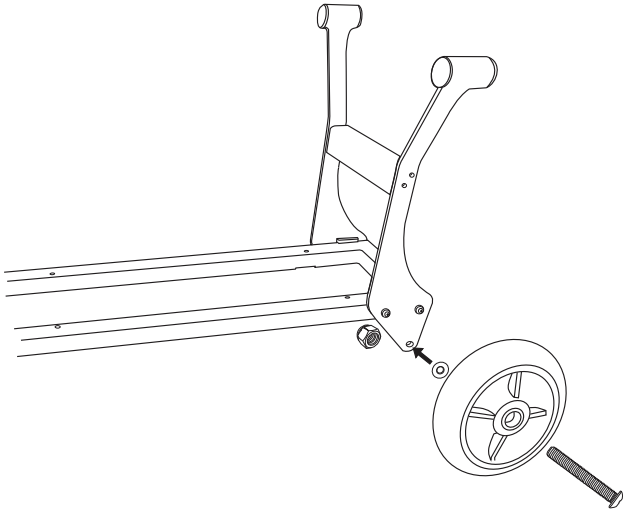
STEP
2

Attach middle bracket by hand tightening 1/4 bolts and 1/4 lock nuts. Cuved/covered side of bracket should be facing up and out. Leave these loose until step 5.



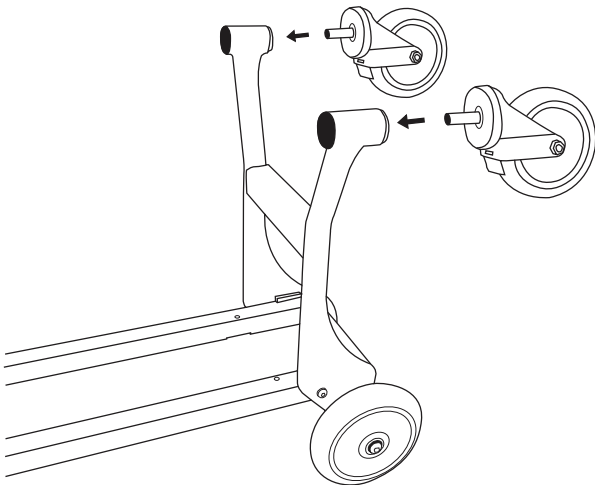
**STEP
3**

Tighten leg to frame bolts fully with the hex key. Attach large 8" wheels to the rear holes of legs using large washer in between wheel and leg using large bolt and large lock nut and fully tighten.



**STEP
4**

Insert 5" caster wheels into end of legs, with firm pressure to ensure full insertion.

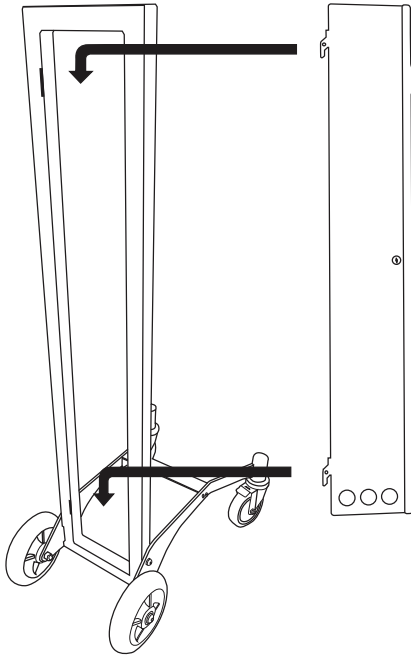


**STEP
5**

Move roller into upright position to do final tightening. Putting pressure on middle bracket will help to level wheels prior to final tightening of center bracket bolts.

STEP
6

With roller upright slide door hooks into slots on rear of frame and slide down.



WARNINGS



- DO NOT PLUG POWERGISTICS TOWERS INTO OTHER TOWERS. MUST BE PLUGGED DIRECTLY INTO THE WALL OUTLET.
- SHELF WEIGHT RATING 7LBS PER SHELF.

REV F

PowerGISTICS

100 Continental Dr., Columbus, WI 53925
1 (844) 205-1217 | WWW.POWERGISTICS.COM