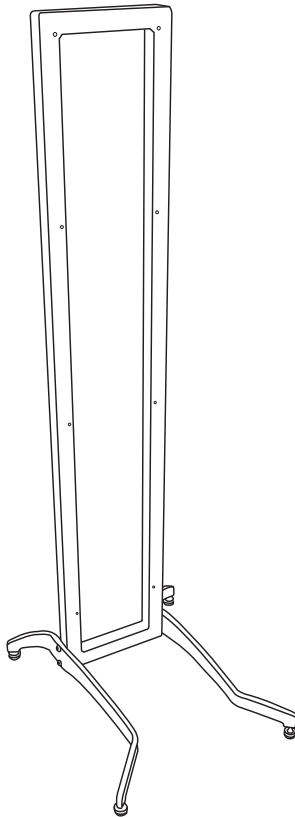


MASTER INSTALLATION GUIDE

“JUST-A-STAND” COMPLETE SETUP

REV F



POWERGISTICS.COM
844.205.1217

PowerGISTICS
■■■■

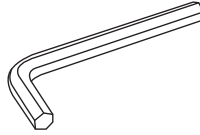
Check out our YouTube videos for tips and tricks.

Assembly Tools Required

*NOT INCLUDED

Just-A- Stand Set up

7/32 ALLEN WRENCH



SCREW DRIVER



Hardware Included

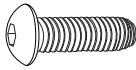
*NOT ACTUAL SIZE

LOCK WASHER



QTY - 4

ALLEN BOLTS



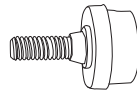
QTY - 4

MOUNTING SCREWS



QTY - 8

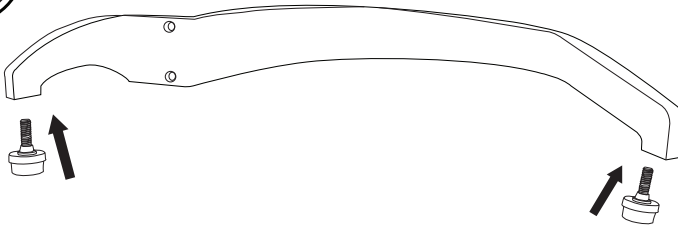
ADJUSTABLE FEET



QTY - 4

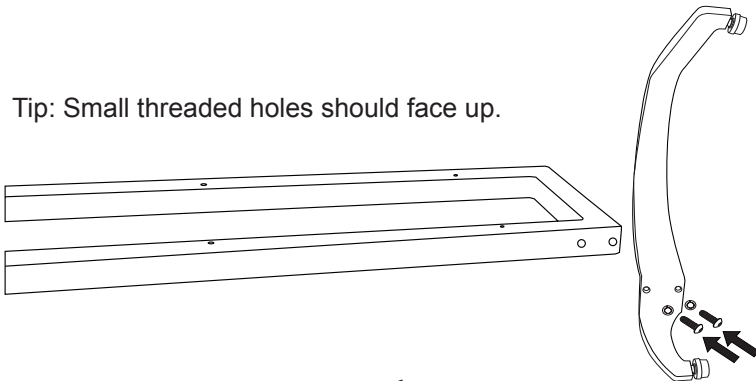


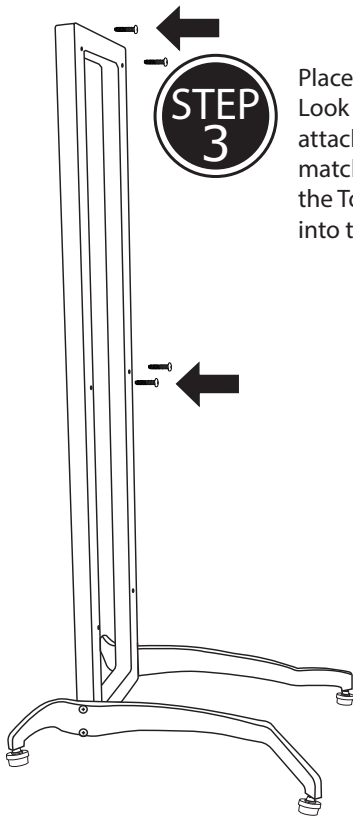
Screw in ADJUSTABLE FEET into the LEGS.



Laying frame on elevated surface, attach LEGS with ALLEN BOLTS. The curve of the legs should face out, and the longer part of the LEG should be pointed up when installing. Insert Allen Bolts with Lock Washers.

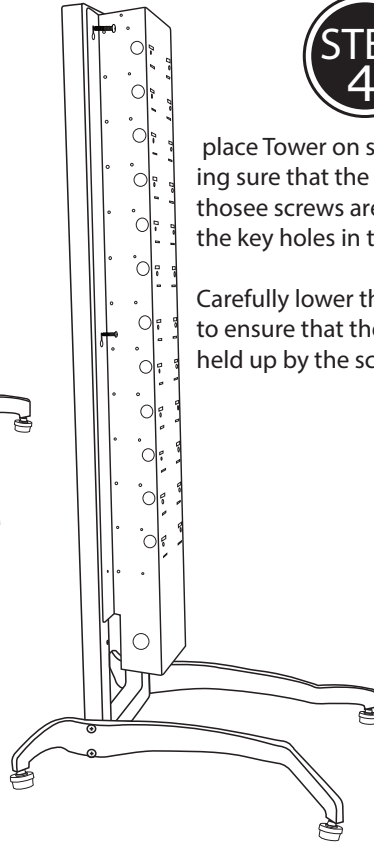
Tip: Small threaded holes should face up.





STEP 3

Place stand upright on the floor. Look at Tower to identify which attachment holes in the stand match up with the key holes in the Tower. Insert those screws into the stand half way.



STEP 4

place Tower on stand making sure that the heads of those screws are through the key holes in the tower.

Carefully lower the Tower to ensure that the tower is held up by the screws.

STEP 5

Sometimes Tower may need to be pulled down slightly to get those screws to "seat". Insert final mounting screws into the tower. Fully Tighten all the mounting screws.



WARNINGS



- DO NOT PLUG POWERGISTICS TOWERS INTO OTHER TOWERS. MUST BE PLUGGED DIRECTLY INTO THE WALL OUTLET.
- SHELF WEIGHT RATING 7LBS PER SHELF.