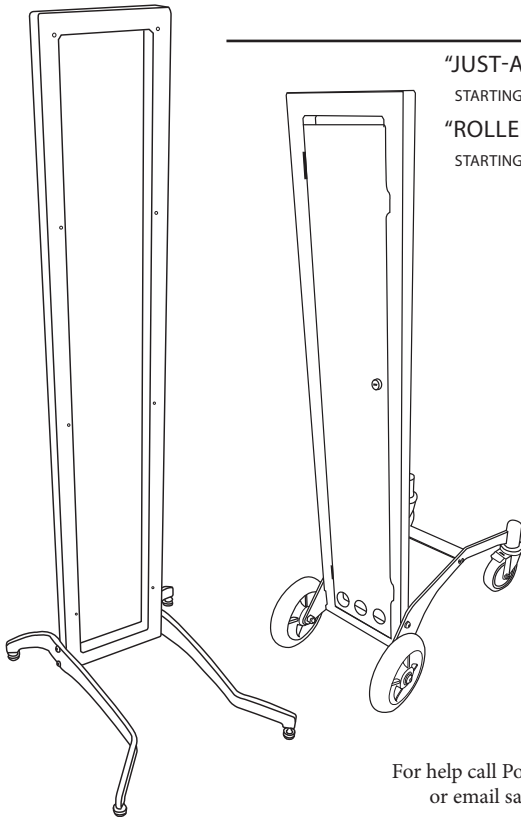


PowerGistics

CHROMEBOOK, LAPTOP & TABLET CHARGING SOLUTION

"American Innovation Enhancing Education"

INSTALLATION GUIDE



"JUST-A-STAND" COMPLETE SETUP

STARTING ON PAGE 1

"ROLLER" COMPLETE SETUP

STARTING ON PAGE 3

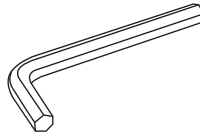
For help call PowerGistics toll free (844) 205-1217
or email sales.support@powergistics.com

Assembly Tools Required

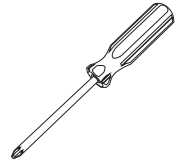
*NOT INCLUDED

Just-A- Stand Set up

7/32 ALLEN WRENCH



SCREW DRIVER



Hardware Included

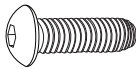
*NOT ACTUAL SIZE

LOCK WASHER



QTY - 4

ALLEN BOLTS



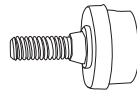
QTY - 4

MOUNTING SCREWS



QTY - 8

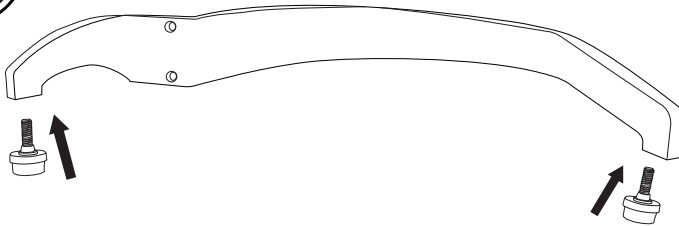
ADJUSTABLE FEET



QTY - 4

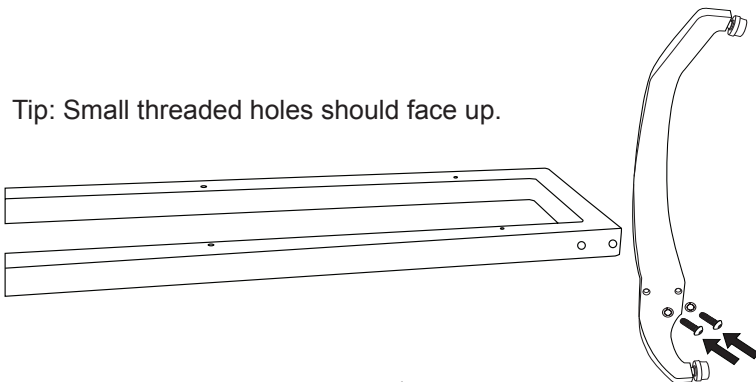


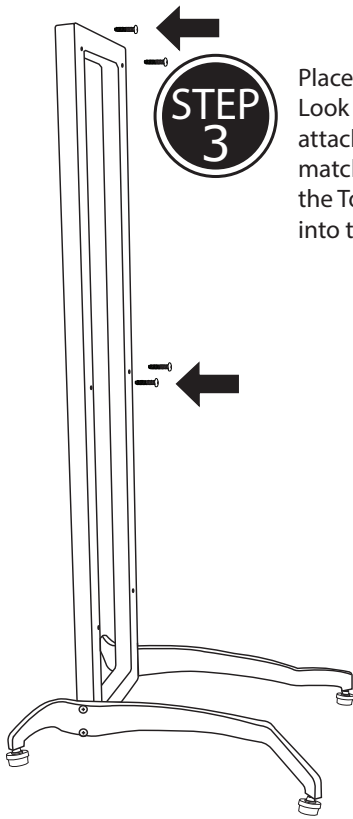
Screw in ADJUSTABLE FEET into the LEGS.



Laying frame on elevated surface, attach LEGS with ALLEN BOLTS. The curve of the legs should face out, and the longer part of the LEG should be pointed up when installing. Insert Allen Bolts with Lock Washers.

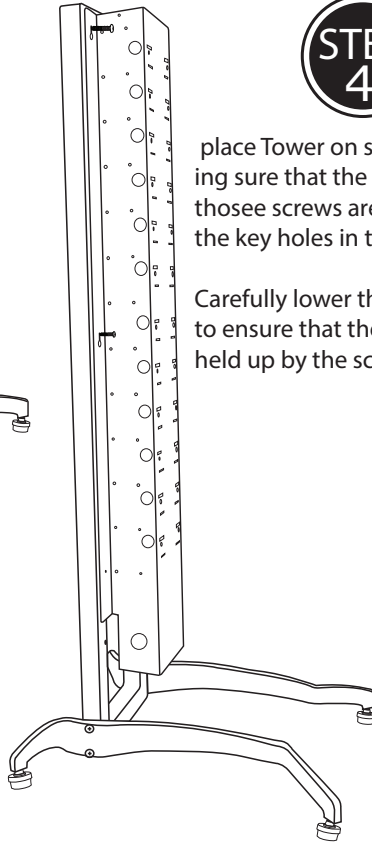
Tip: Small threaded holes should face up.





STEP 3

Place stand upright on the floor. Look at Tower to identify which attachment holes in the stand match up with the key holes in the Tower. Insert those screws into the stand half way.



STEP 4

place Tower on stand making sure that the heads of those screws are through the key holes in the tower.

Carefully lower the Tower to ensure that the tower is held up by the screws.

STEP 5

Sometimes Tower may need to be pulled down slightly to get those screws to "seat". Insert final mounting screws into the tower. Fully Tighten all the mounting screws.



WARNINGS



- DO NOT PLUG POWERGISTICS TOWERS INTO OTHER TOWERS. MUST BE PLUGGED DIRECTLY INTO THE WALL OUTLET.
- SHELF WEIGHT RATING 7LBS PER SHELF.

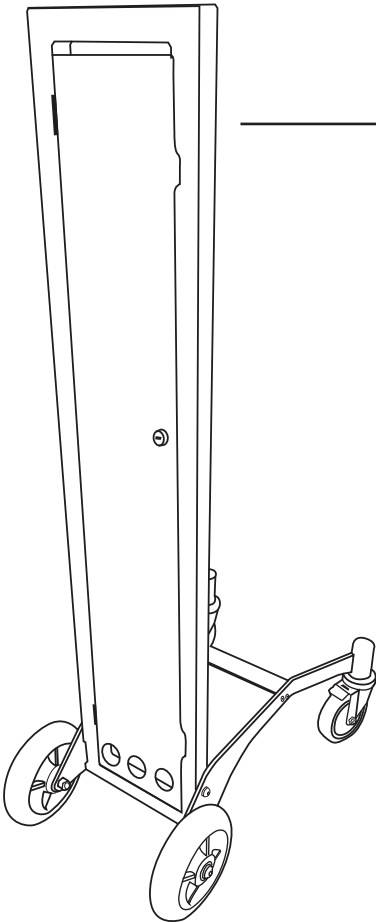
PowerGistics

CHROMEBOOK, LAPTOP & TABLET CHARGING SOLUTION

"American Innovation Enhancing Education"

INSTALLATION GUIDE

"ROLLER" COMPLETE SETUP



For help call PowerGistics toll free (844) 205-1217
or visit www.powergistics.com/contact

Hardware Included

*NOT ACTUAL SIZE

5/16 HEX KEY - 1



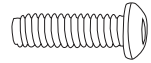
HEX KEY 7/32 - 1



HEX KEY 5/32 - 1



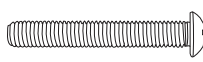
3/8" Hex Bolt - 4



1/2" LOCK NUT - 2



1/2" HEX BOLT - 2



3/8" LOCK WASHER - 4



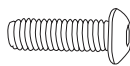
1/4" LOCK NUT - 4



1/2" WASHER - 2



1/4" HEX BOLT - 4



MOUNTING SCREW - 8

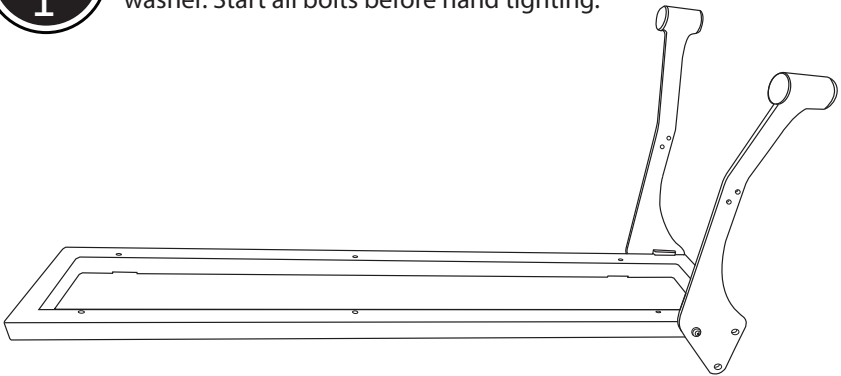


DOOR KEY - 2



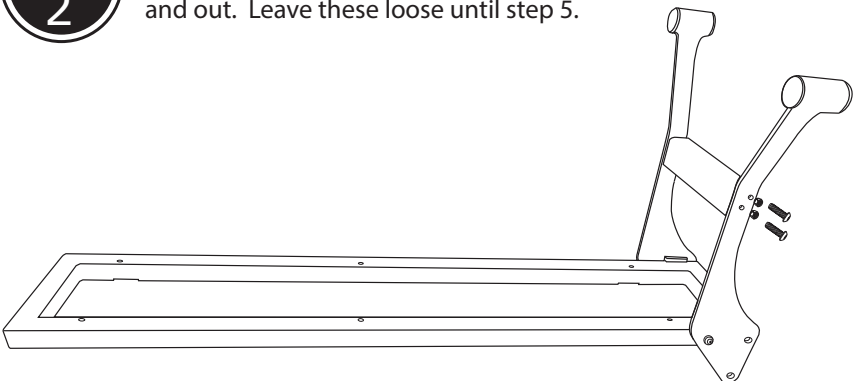
STEP
1

Line up frame with the flat side of leg facing up and legs curving out ward. Attach legs using 3/8 Hex bolts and 3/8 lock washer. Start all bolts before hand tightening.



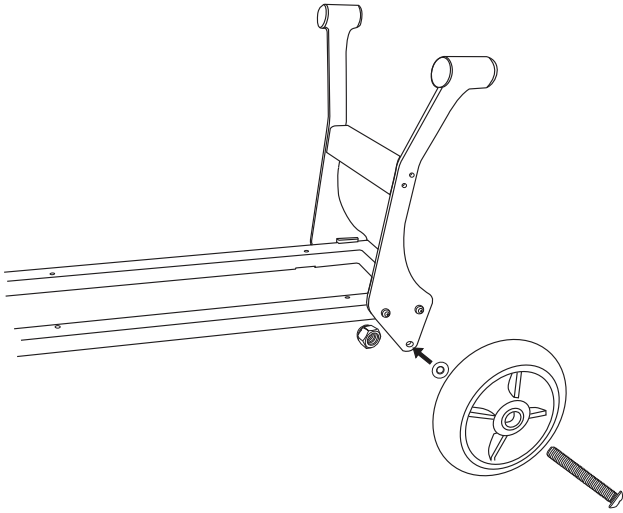
STEP
2

Attach middle bracket by hand tightening 1/4 bolts and 1/4 lock nuts. Cuved/covered side of bracket should be facing up and out. Leave these loose until step 5.



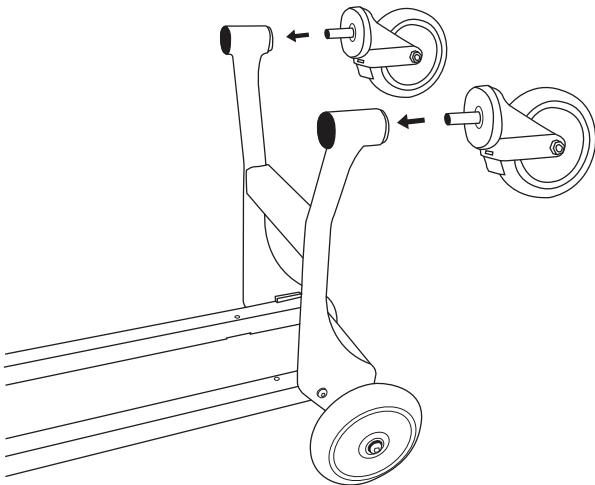
**STEP
3**

Tighten leg to frame bolts fully with the hex key. Attach large 8" wheels to the rear holes of legs using large washer in between wheel and leg using large bolt and large lock nut and fully tighten.



**STEP
4**

Insert 5" caster wheels into end of legs, with firm pressure to ensure full insertion.

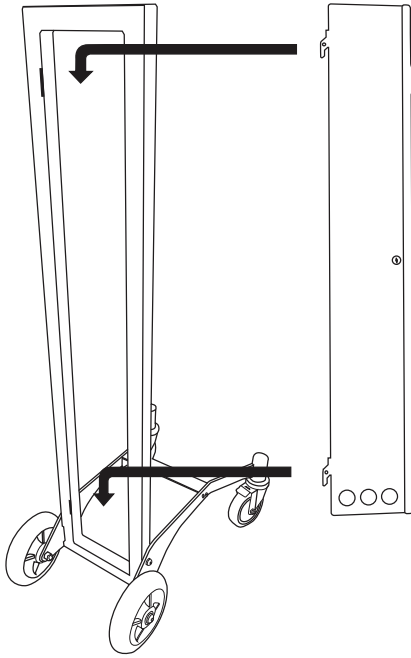


**STEP
5**

Move roller into upright position to do final tightening. Putting pressure on middle bracket will help to level wheels prior to final tightening of center bracket bolts.

STEP 6

With roller upright slide door hooks into slots on rear of frame and slide down.



WARNINGS



- DO NOT PLUG POWERGISTICS TOWERS INTO OTHER TOWERS. MUST BE PLUGGED DIRECTLY INTO THE WALL OUTLET.
- SHELF WEIGHT RATING 7LBS PER SHELF.

REV B

PowerGISTICS

100 Continental Dr., Columbus, WI 53925
1 (844) 205-1217 | WWW.POWERGISTICS.COM